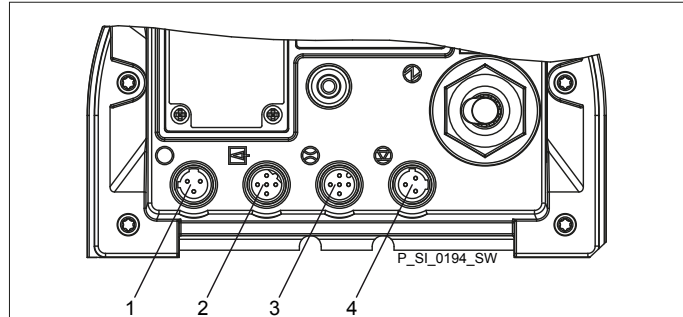


Brief information sheet

Sigma X Control type

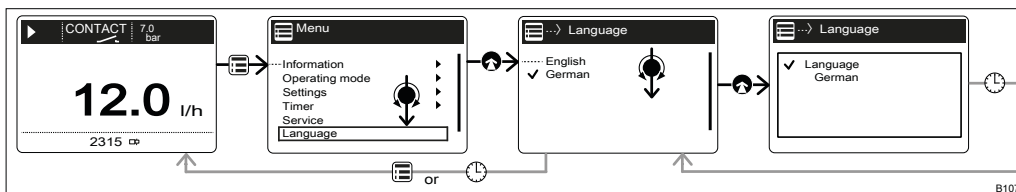
Also take note of the operating instructions!

Sockets, assignment



- 1 "Diaphragm rupture" socket
- 2 "External control" socket
- 3 "Metering monitor" socket
- 4 "Level switch" socket

Setting control using menu, principle



- Press [Menu]
- Turn the [Clickwheel]
- Press the [Clickwheel]
- Automatically after x sec

Display - Explanation of selected functions

Symbol	Explanation
	Strokes / minute
	Strokes / contact
	Litres / contact
	Metering monitor
	Stop

LEDs on HMI - explanation

Colour	Explanation
red	Error
yellow	Warning
green	OK, goes out with each stroke

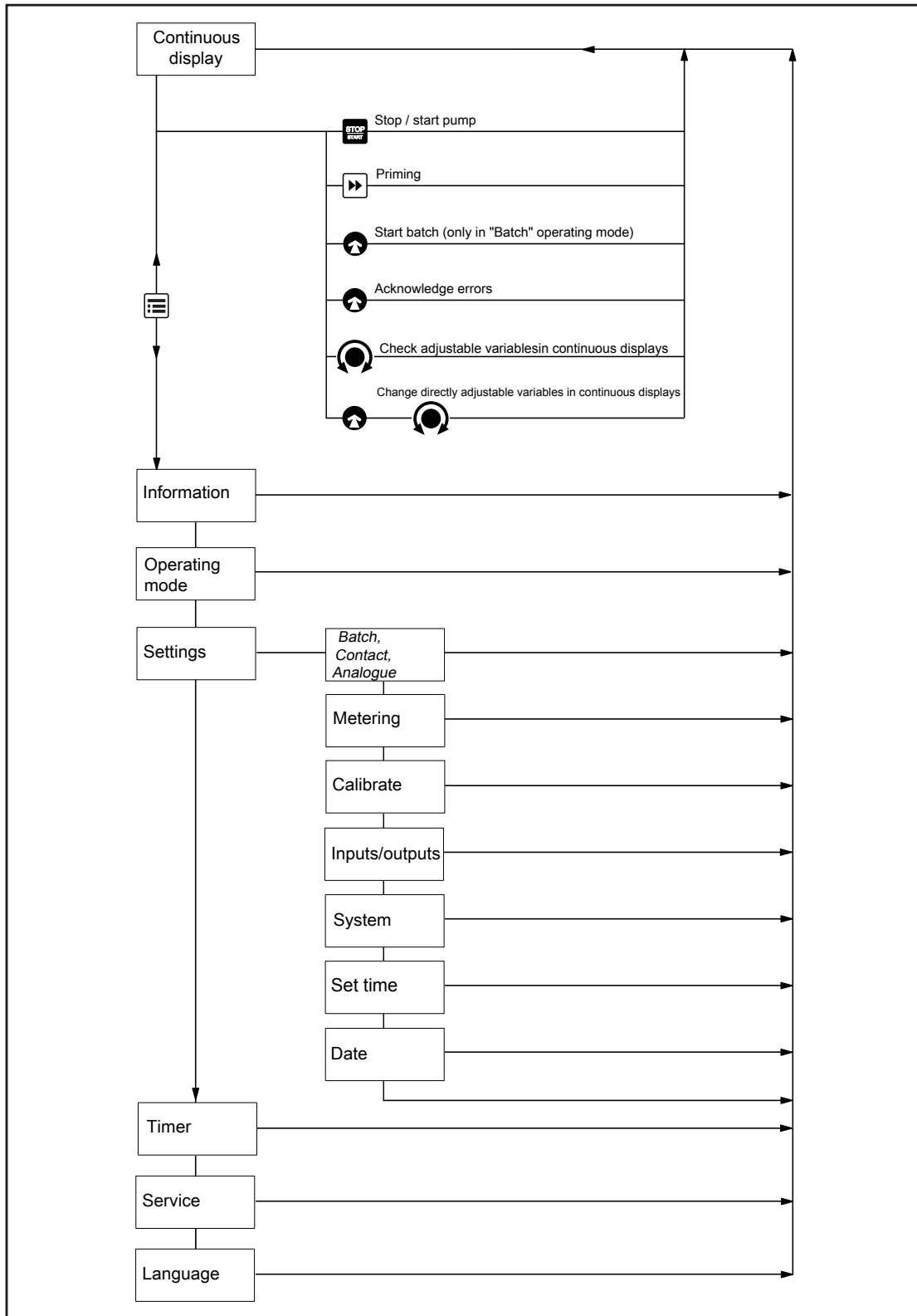
982127 TM SI 004 09/18 EN

13.09.2018, 982127, 1, en_GB

Brief information sheet

Sigma X Control type

Operating / set-up overview



982127 TM SI 004 09/18 EN

13.09.2018, 982127, 1, en_GB