

1 Dimensional drawings

i – Compare the dimensions on the dimension sheet and pump.
 – All dimensions are in mm.

Dimensional drawing of Makro TZ,
TZMbH

Main power end

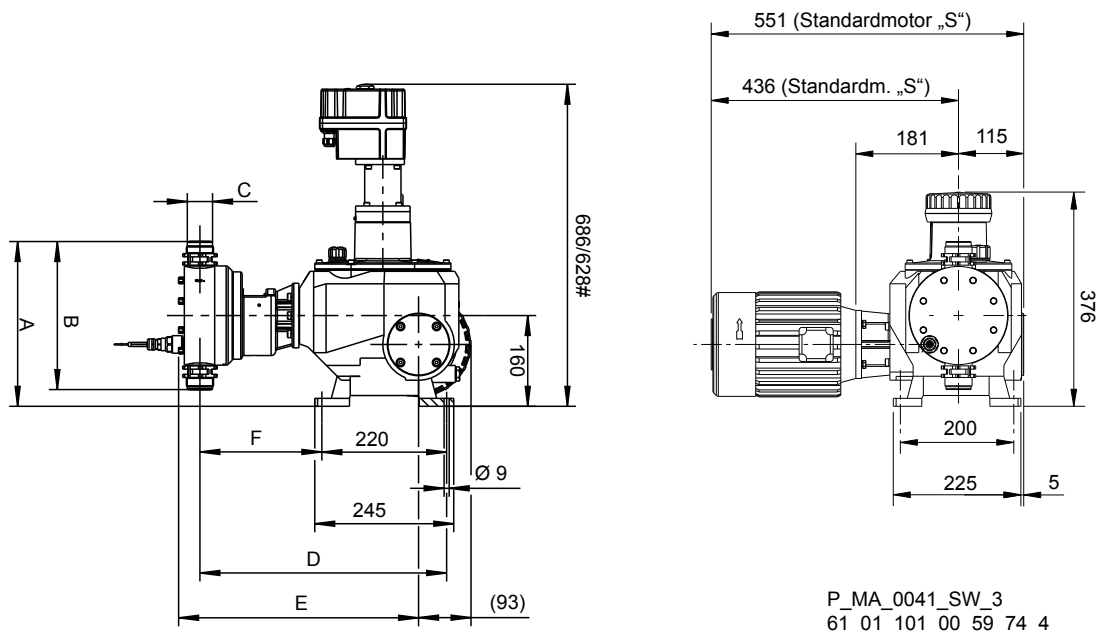


Fig. 1: Dimensions # with manual adjustment wheel. Diagram is not strictly binding.

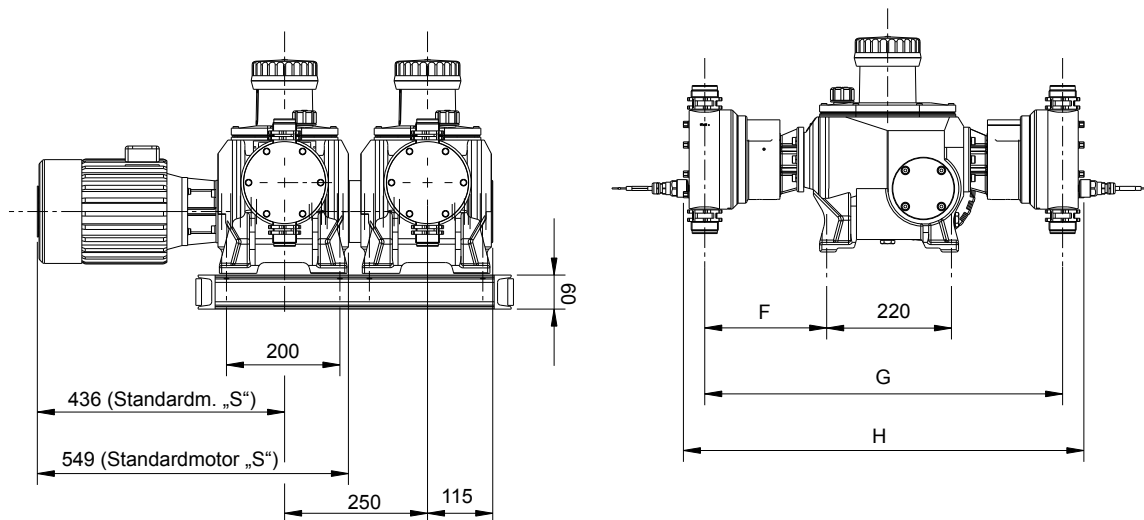
Tab. 1: Dimensions of Makro TZ (in mm)

Type	120260, 120340, 120430, 120510, 120650	120260, 120340, 120430, 120510, 120650	070430, 070570, 070720, 070860, 071070	070430, 070570, 070720, 070860, 071070	040840, 041100, 041400, 041670, 42100	040840, 041100, 041400, 041670, 42100
	S	PP, P, T	S	PP, P, T	S	PP, P, T
A	290	290	308	308	347	347
B	261	261	295	295	374	374
C	DN25*	DN25*	DN32*	DN32*	DN40*	DN40*
	G 1 1/2 A	G 1 1/2 A	G 2A	G 2A	G 2 1/4 A	G 2 1/4 A
D	435	435	442	442	447	447
E	423	423	438	438	458	458
F	215	215	222	222	227	227

* External thread

Dimensional drawing for Makro TZ,
TZMbA with TZMbB or TZMbD

Main power end with add-on power end or double head version



P_MA_0020_SW
61_01_101_00_59_74_2x01

Fig. 2: Diagram is not strictly binding.

Tab. 2: Dimensions of Makro TZ (in mm)

Type	120260, 120340, 120430, 120510, 120650	120260, 120340, 120430, 120510, 120650	070430, 070570, 070720, 070860, 071070	070430, 070570, 070720, 070860, 071070	040840, 041100, 041400, 041670, 42100	040840, 041100, 041400, 041670, 42100
	S	PP, P, T	S	PP, P, T	S	PP, P, T
F	215	215	222	222	227	227
G	631	631	645	645	655	655
H	707	723	736	752	756	776

Dimensional drawing for Makro TZ,
motor flanges

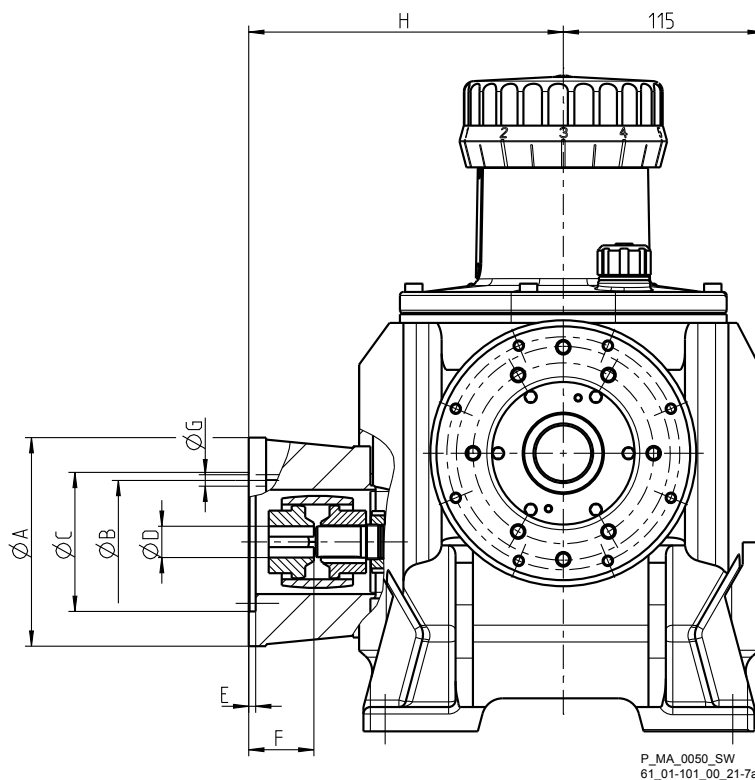


Fig. 3: Diagram is not binding.

Tab. 3: Dimensions of Makro TZ motor flanges (in mm)

	4	7	8	9
	56C	120/80	160/90	200/90
ØA	167	120	160	200
ØB	149.3	100	130	165
ØC	114.3	80	110	130
ØD	15.87	19	24	24
ØE	4	4	4	4
F	48.76	37	46.5	46.5
ØG	11	6.6	9	M10
H	193	181	191	191
Coupling type	M24 Bowex	M24 Bowex	M24 Bowex	M24 Bowex
Mounting	56C (Nema)	B14	B14	B5 1.1/1.5 kW B14 ,2/3 kW