

1 Dimensional drawings



- Compare the dimensions on the dimension sheet and pump.
- All dimensions are in mm.

Dimensional drawing for Sigma/ 1, S1Ba

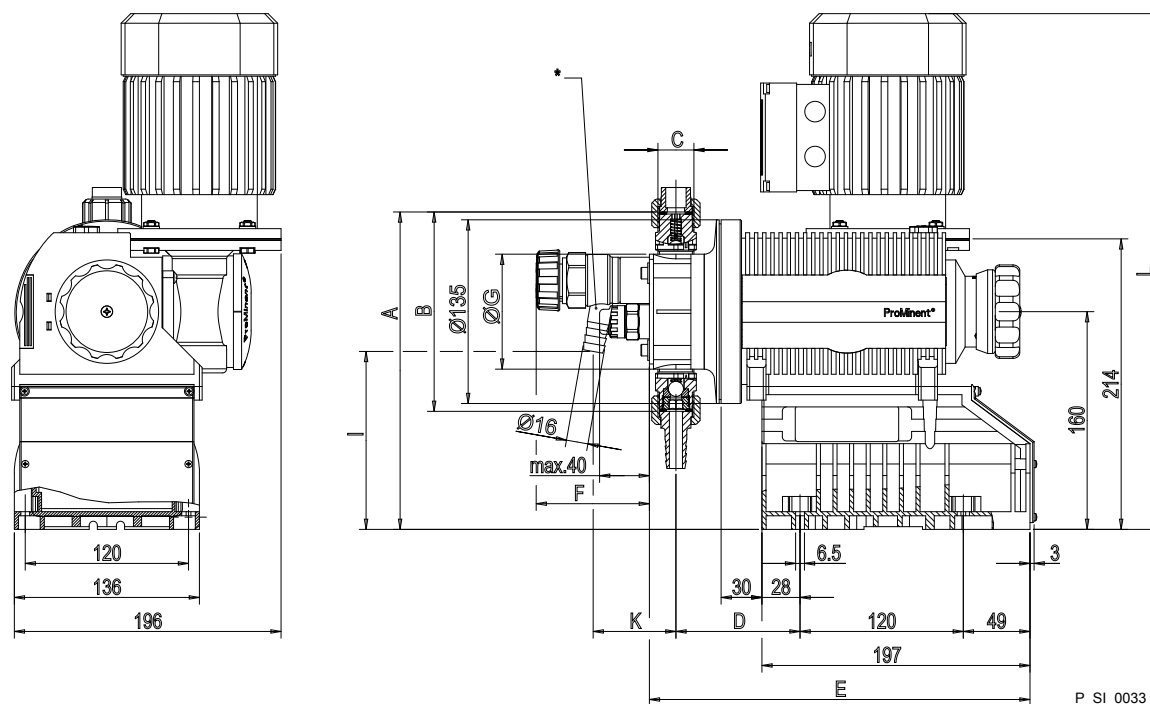


Fig. 1: Dimensional drawing of Sigma/ 1, S1Ba - Drawing is not strictly binding.

* Hose nozzle relief valve d16 S with thread DIN ISO 228-G3/4 A

Tab. 1: Dimensions in mm

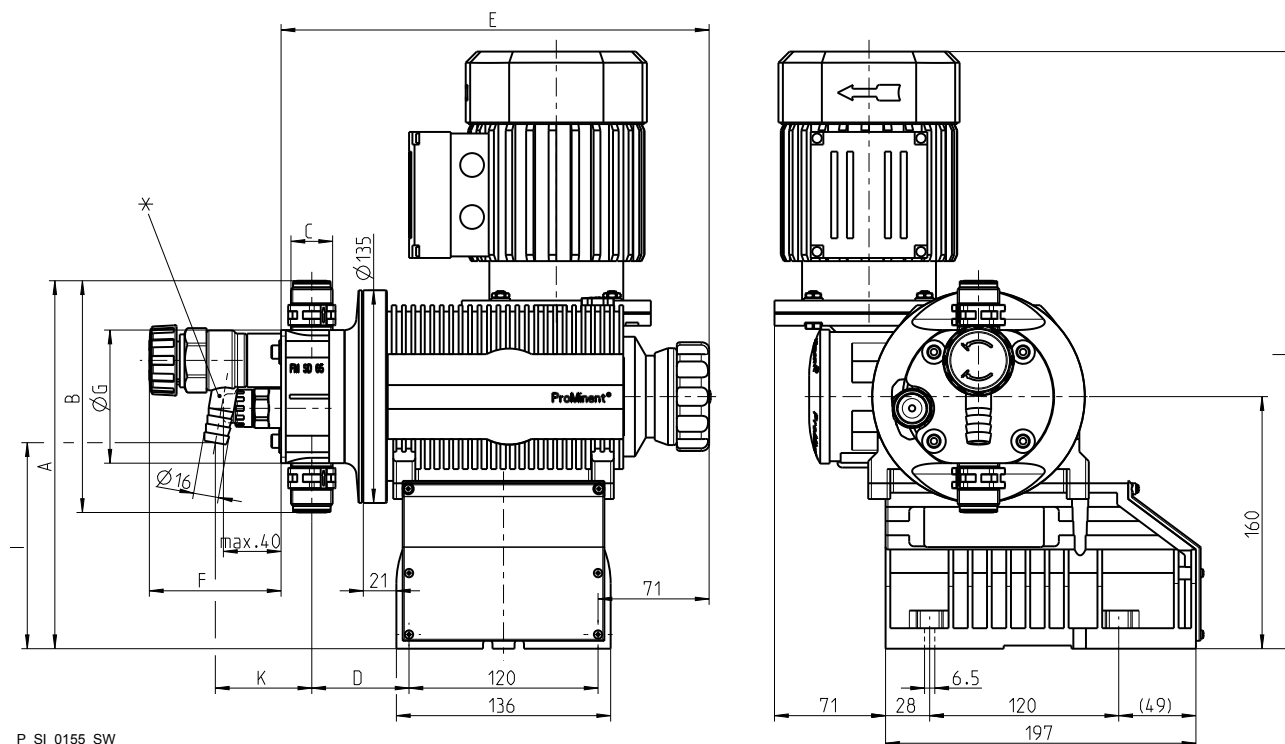
Type	Connector	A	B	C	D	E	F	G	I	K
Sigma 12017,12035, 10050 PVT	DN10	233	147	G 3/4 A	91	277	-	96	-	-
Sigma 12017,12035, 10050 PVT-relief valve-A/sv-a	DN10	233	147	G 3/4 A	91	280	84	96	131	61
Sigma 12017,12035, 10050 SST	DN10	231	142	G 3/4 A	91	275	-	105	-	-
Sigma 12017,12035, 10050 SST-relief valve-A/sv-a	DN10	231	142	G 3/4 A	91	275	88	105	100	45
Sigma 10022, 10044, 07065 PVT	DN10	233	147	G 3/4 A	91	277	-	96	-	-
Sigma 10022, 10044, 07065 PVT-relief valve-A/sv-a	DN10	233	147	G 3/4 A	91	280	84	96	131	61

Dimensional drawings

Type	Connector	A	B	C	D	E	F	G	I	K
Sigma 10022, 10044, 07065 SST	DN10	231	142	G 3/4 A	91	275	-	105	-	-
Sigma 10022, 10044, 07065 SST-relief valve-A/sv-a	DN10	231	142	G 3/4 A	91	275	88	105	100	45
Sigma 07042, 04085, 04120 PVT	DN15	242	165	G 1 A	96	286	-	122	-	-
Sigma 07042, 04085, 04120 PVT-relief valve-A/sv-a	DN15	242	165	G 1 A	96	296	74	122	138	63
Sigma 07042, 04085, 04120 SST	DN15	242	165	G 1 A	95	285	-	122	-	-
Sigma 07042, 04085, 04120 SST-relief valve-A/sv-a	DN15	242	165	G 1 A	95	285	88	122	112	51

Tab. 2: Dimensions in mm

	Standard motor	Motor, control- lable	EExe motor	Motor with fre- quency converter	1-phase motor
L	379	416	420	519	399

**Dimensional drawing of Sigma/ 1,
S1Ba, rotated**


P_SL_0155_SW

Fig. 2: Dimensional drawing of Sigma/ 1, S1Ba, rotated - Drawing is not strictly binding.

* Hose nozzle relief valve d16 S with thread DIN ISO 228-G3/4 A

Tab. 3: Dimensions in mm

Type	Connector	A	B	C	D	E	F	G	I	K
Sigma 12017,12035, 10050 PVT	DN10	233	147	G 3/4 A	62	269	-	96	-	-
Sigma 12017,12035, 10050 PVT-relief valve-A/sv-a	DN10	233	147	G 3/4 A	62	272	84	96	131	61
Sigma 12017,12035, 10050 SST	DN10	231	142	G 3/4 A	61	267	-	105	-	-
Sigma 12017,12035, 10050 SST-relief valve-A/sv-a	DN10	231	142	G 3/4 A	61	267	88	105	100	45
Sigma 10022, 10044, 07065 PVT	DN10	233	147	G 3/4 A	62	269	-	96	-	-
Sigma 10022, 10044, 07065 PVT-relief valve-A/sv-a	DN10	233	147	G 3/4 A	62	272	84	96	131	61
Sigma 10022, 10044, 07065 SST	DN10	231	142	G 3/4 A	61	267	-	105	-	-
Sigma 10022, 10044, 07065 SST-relief valve-A/sv-a	DN10	231	142	G 3/4 A	61	267	88	105	100	45
Sigma 07042, 04085, 04120 PVT	DN15	242	165	G 1 A	67	278	-	122	-	-

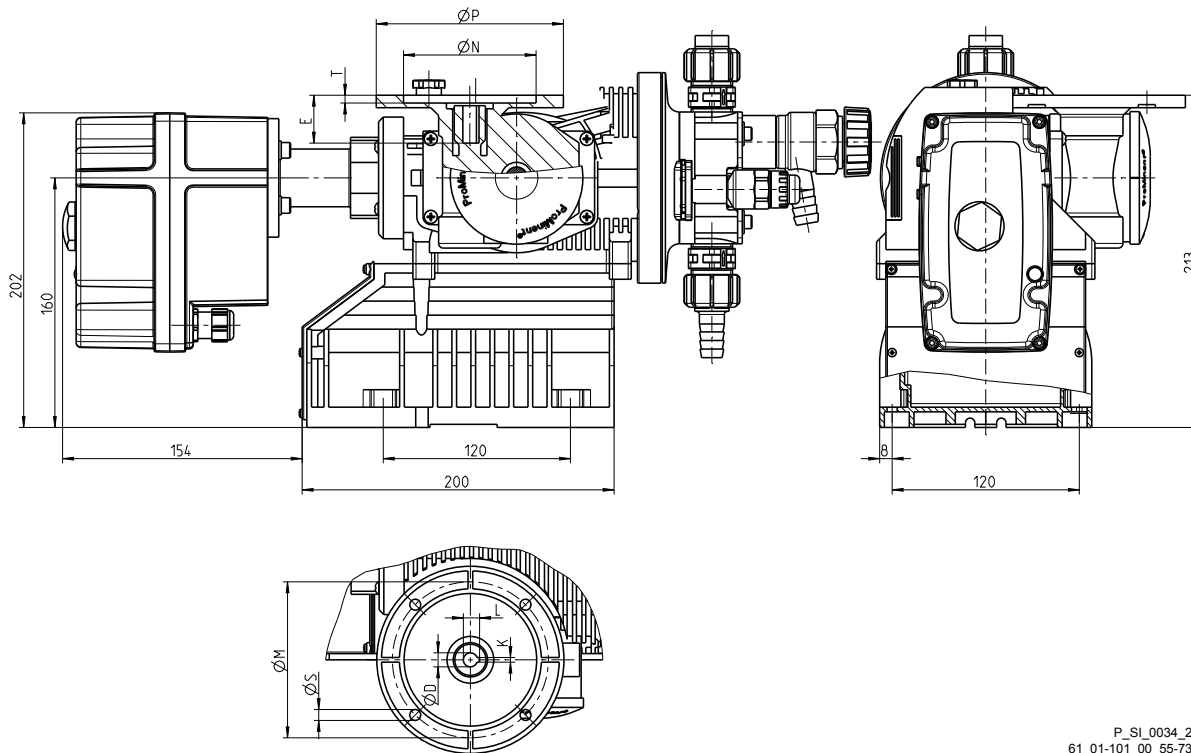
Dimensional drawings

Type	Connector	A	B	C	D	E	F	G	I	K
Sigma 07042, 04085, 04120 PVT-relief valve-A/sv-a	DN15	242	165	G 1 A	67	288	74	122	138	63
Sigma 07042, 04085, 04120 SST	DN15	242	165	G 1 A	66	277	-	122	-	-
Sigma 07042, 04085, 04120 SST-relief valve-A/sv-a	DN15	242	165	G 1 A	66	277	88	122	112	51

Tab. 4: Dimensions in mm

	Standard motor	Motor, control- lable	EExe motor	Motor with fre- quency converter	1-phase motor
L	379	416	420	519	399

Dimensional drawing of Sigma/ 1, S1Ba, motor flange, actuator



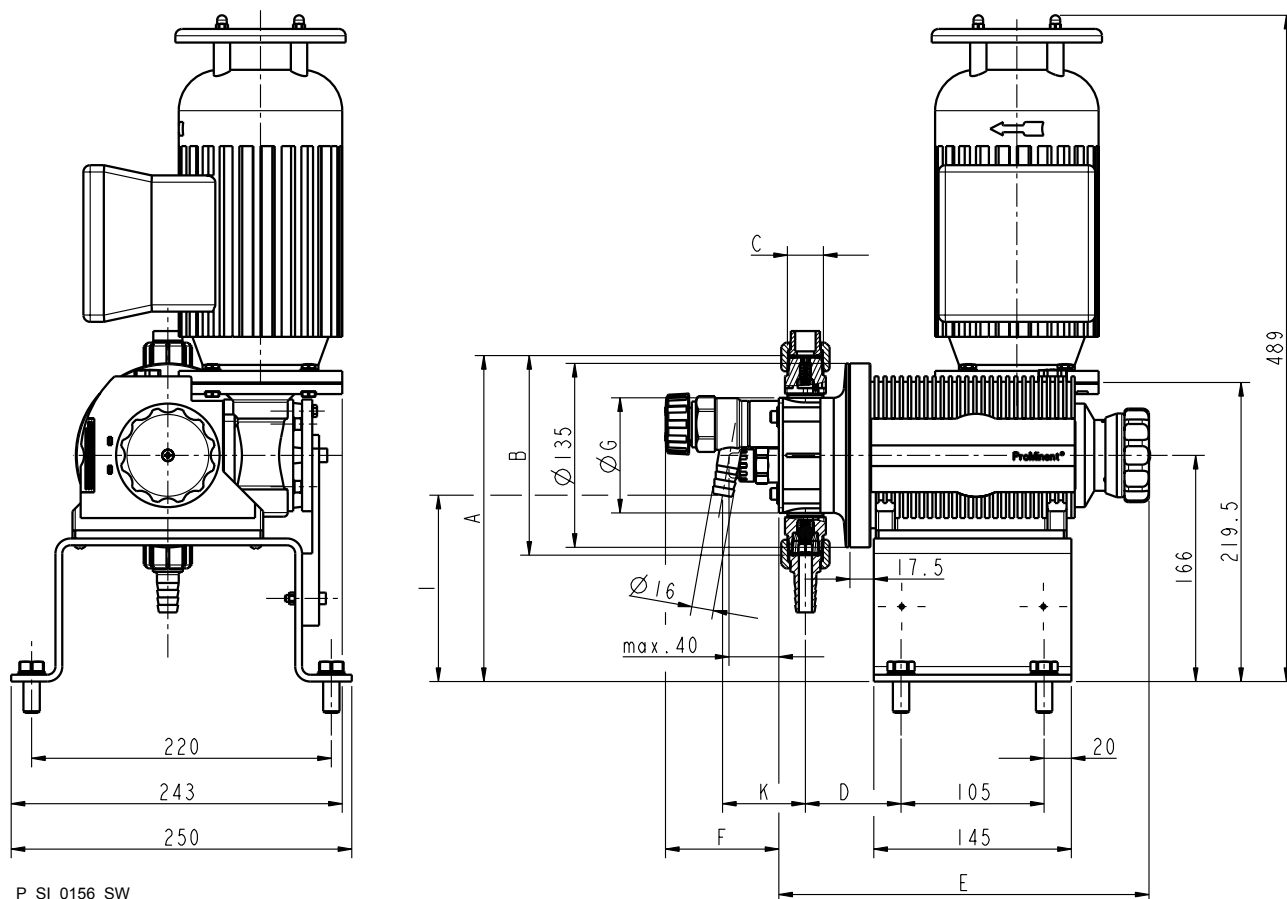
P_SI_0034_2
61_01-101_00_55-73

Fig. 3: Dimensional drawing of Sigma/ 1, S1Ba, motor flange, actuator - Drawing is not strictly binding.

Tab. 5: Dimensions in mm

Motor flange	Ø P	Ø M	Ø N	Ø S	Ø D	T	E	K	L
C 42	4.725 "	3.75 "	3 "	0.276 "	0.5 "	0.157 "	1.287 "	0.125 "	0.56 "
B5, 120	120 mm	100 mm	80 mm	7 mm	9E7	5 mm	30 mm	3H9	10.4 mm

Dimensional drawing of Sigma 1, S1Ba with EExde motor



P_SI_0156_SW

Fig. 4: Dimensional drawing of Sigma/ 1, S1Ba, with EExde motor - Drawing is not strictly binding.

Tab. 6: Dimensions in mm

Type	Connector	A	B	C	D	E	F	G	I	K
Sigma 12017,12035, 10050 PVT	DN10	239	147	G 3/4 A	70	269	-	96	-	-
Sigma 12017,12035, 10050 PVT-relief valve-A/sv-a	DN10	239	147	G 3/4 A	70	272	84	96	137	61
Sigma 12017,12035, 10050 SST	DN10	237	142	G 3/4 A	70	267	-	105	-	-
Sigma 12017,12035, 10050 SST-relief valve-A/sv-a	DN10	237	142	G 3/4 A	70	267	88	105	106	45
Sigma 10022, 10044, 07065 PVT	DN10	239	147	G 3/4 A	70	269	-	96	-	-
Sigma 10022, 10044, 07065 PVT-relief valve-A/sv-a	DN10	239	147	G 3/4 A	70	272	84	96	137	61
Sigma 10022, 10044, 07065 SST	DN10	237	142	G 3/4 A	70	267	-	105	-	-
Sigma 10022, 10044, 07065 SST-relief valve-A/sv-a	DN10	237	142	G 3/4 A	70	267	88	105	106	45

Dimensional drawings

Type	Connector	A	B	C	D	E	F	G	I	K
Sigma 07042, 04084, 04120 PVT	DN15	248	165	G 1 A	75	278	-	122	-	-
Sigma 07042, 04084, 04120 PVT-relief valve-A/sv-a	DN15	248	165	G 1 A	75	288	74	122	144	63
Sigma 07042, 04084, 04120 SST	DN15	249	165	G 1 A	74	277	-	122	-	-
Sigma 07042, 04084, 04120 SST-relief valve-A/sv-a	DN15	249	165	G 1 A	74	277	88	122	118	51