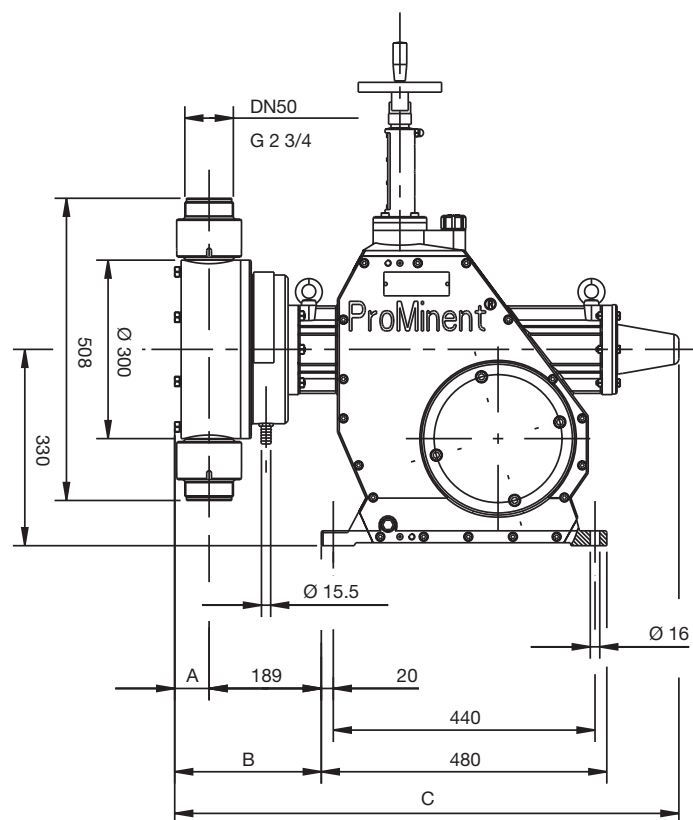
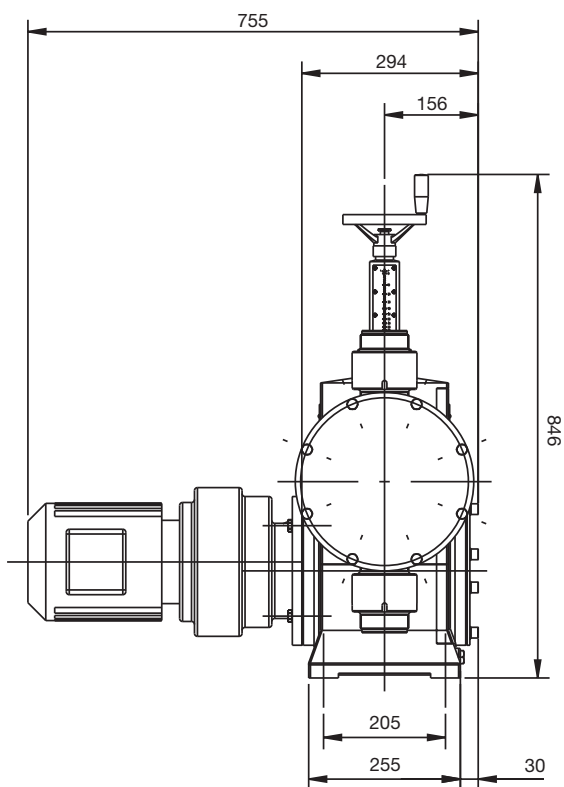


Technical specification Makro/ 5/20 M5Ma H

Main power end



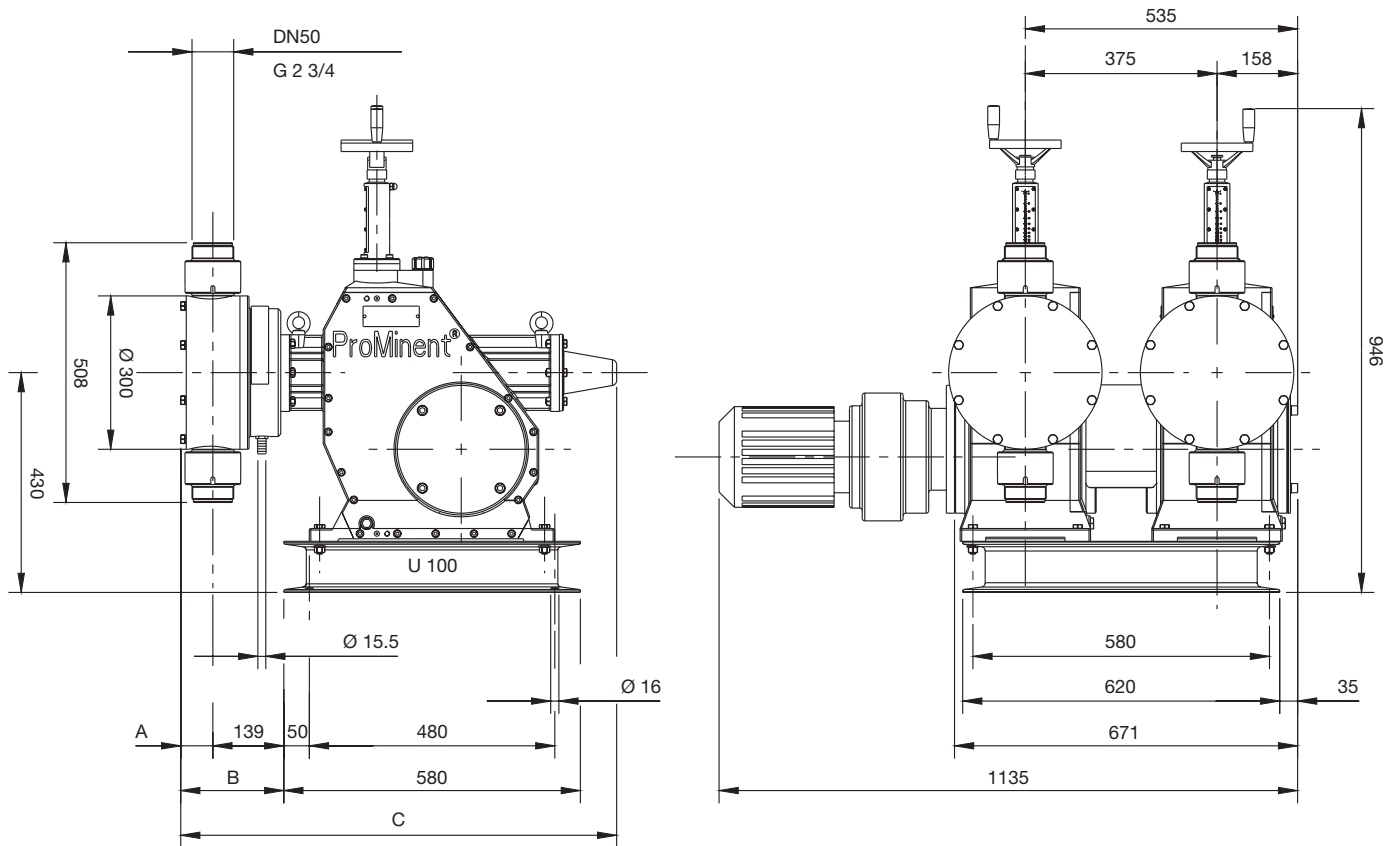
61_03-101_00_04_74_1

Dimensions - Makro/ 5 (in mm)

Type	M5Ma ... SS	M5Ma ... PP, PC, TT
A	58	70
B	246	258
C	848	860

Technical specification Makro/ 5 M5Ma H + M5Ma A

Main power end with add-on power end



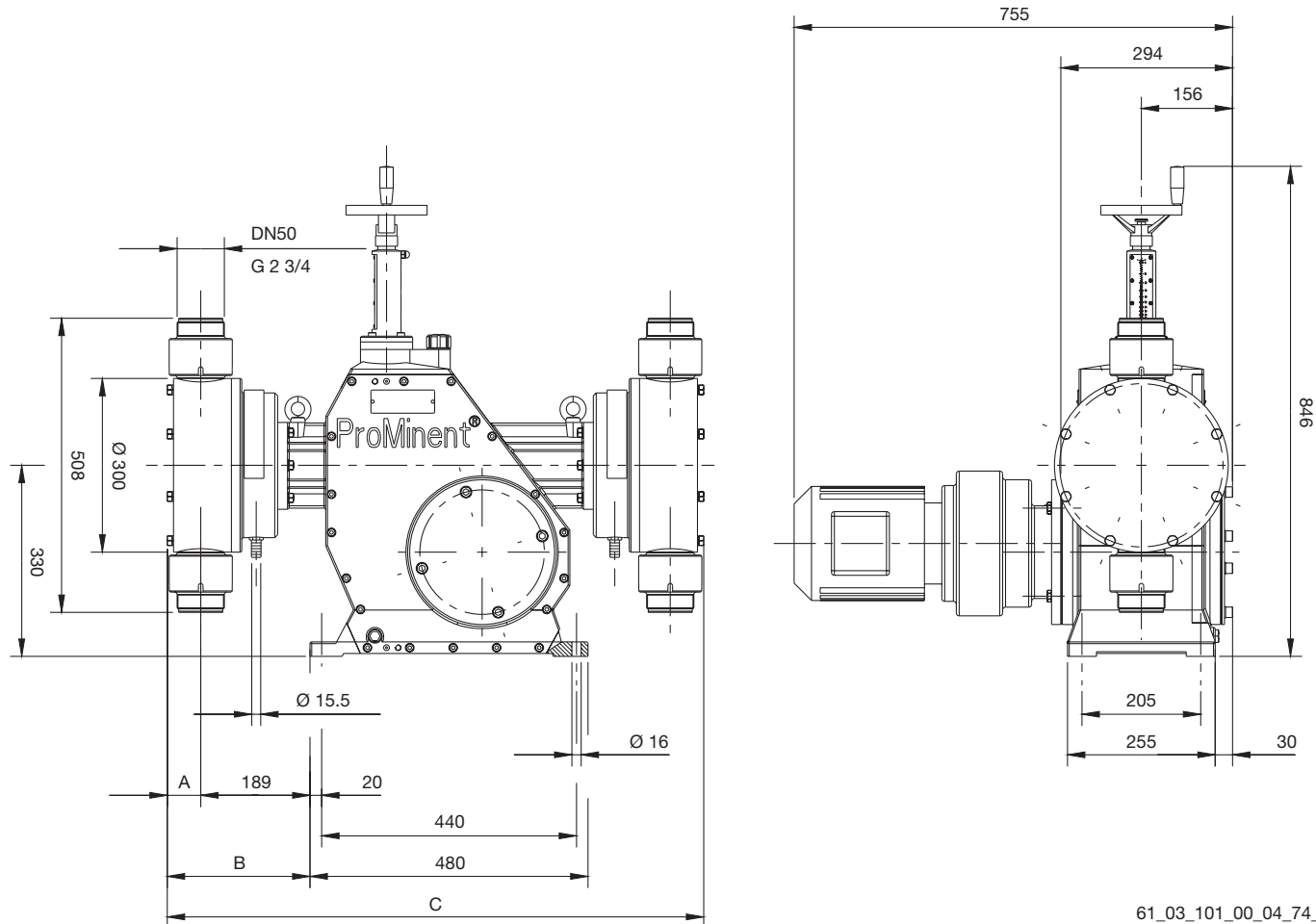
61_03-101_00_04_74_2

Dimensions - Makro/ 5 (in mm)

	M5Ma ... SS	M5Ma ... PP, P, T
A	58	70
B	197	209
C	848	860

Technical specification Makro/ 5 M5Ma D

Double head version



61_03_101_00_04_74_3

Dimensions - Makro/ 5 (in mm)

	M5Ma ... SS	M5MA ... PP, P, T
A	58	70
B	246	258
C	926	950