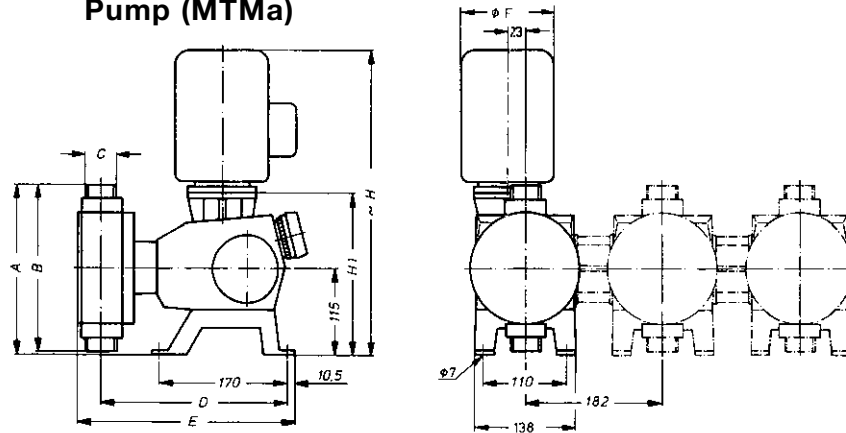


3.3 Specification Sheet for ProMinent® Meta Diaphragm Dosing Pump (MTMa)

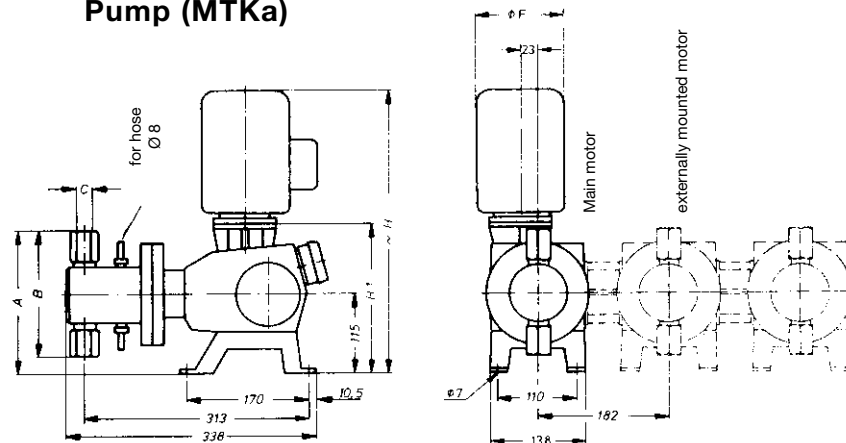


1186/3.1

Measurement Table

Type	Liquid end	Head dia.	Connector	A	B	C	D	E
12065, 12086, 12108, 12130	FM 130	145/ 76	DN 20	224	217	R 1 1/4"	266	313
10130, 09173, 07216, 06260, 10173, 10216, 10260, 10200, 10263, 10330, 09395	FM 260	145/104	DN 20	224	217	R 1 1/4"	266	313
05265, 04353, 03441, 03530, 05440, 05530, 04400, 04527, 03662, 03790	FM 530	180/143	DN 25	248	266	R 1 1/2"	271	321
Height dimensions for MTMa + MTKa	Standard motor Size: 63; 0.18 kW B14 (V 18), mounting dia. 90	1 Phase DC motor Size: 71, 0.37 kW Mounting flange dia. 140 and 160			Variable speed air cooled motors Mounting flange dia. 140 0.37 kW/0.75 kW		Drive with mounting flange 56 C/138	
Measurement H1	213	220			220		242	
Measurement H approx.	396	421		440	/ 583		—	

3.4 Specification Sheet for ProMinent® Meta Piston Dosing Pump (MTKa)



1174/4.1

Measurement Table

Type	Liquid end	A	B	C
21606, 24006, 16208, 22508, 12910, 21610, 10812, 21012	FK 12.5	197.5	165	R 1/4"
10213, 11313, 07617, 10617, 06122, 10222, 05126, 09926	FK 25	197.5	165	R 1/4"
05425, 06025, 04033, 05633, 03241, 05441, 02749, 05249	FK 50	202.5	175	R 3/8"