

LZ12, LU10, LP15 & LO10 Series Manual

LZ12 Series



LU10 Series



LP15 Series



LO10 Series



ABOUT SWITCH-TEK™ POWERED LEVEL SWITCHES

This manual contains information on all four models of Flowline Switch-Tek™ powered level switches; Vibration (LZ12 series), Ultrasonic (LU10 series), Optic Leak (LO10 series) and SuperGuard Capacitance (LP15 series). The switches all feature two outputs: 1) a 4 or 20 mA current switch and 2) a 60VA SPST dry contact relay. All four series are manufactured with thermoplastics, including the cable, making them submersible in design and ideal for corrosive applications. Package the switches with either Flowline controllers (LC10 or LC40 series) or interface directly to another controller or PLC.

TABLE OF CONTENTS

Specifications: 3

Sensor Information: 4

 Vibration Level Switch (LZ12 Series): 4

 Maintenance Alarm: 5

 Ultrasonic Level Switch (LU10 Series): 6

 Optic Leak Detection Switch (LO10 Series): 7

 Capacitance Level Switch (LP15 Series): 8

Safety Precautions: 9

 Make a Fail-Safe System: 9

Installation: 10

 Through Wall Installation: 10

 Top Wall Installation: 10

Electrical: 11

Wiring: 12

Wiring to a Flowline Controller: 12

 Switching Inductive Loads: 12

 Wiring the Relay Output: 13

 Intrinsically Safe Control Drawings (LU10 Series Only): 14-15

 Wiring as a P-Channel or N-Channel Output: 16

Maintenance: 17

 Cleaning Procedure: 17

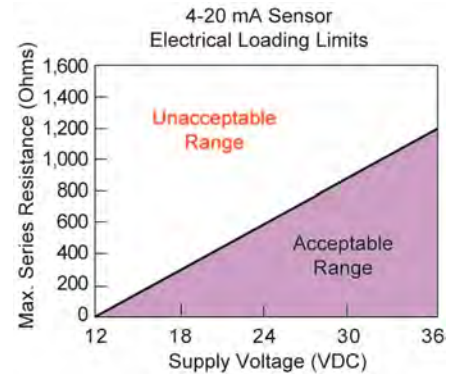
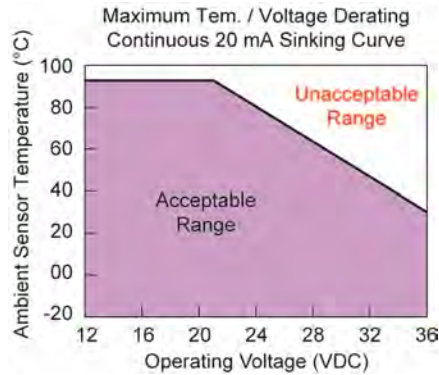
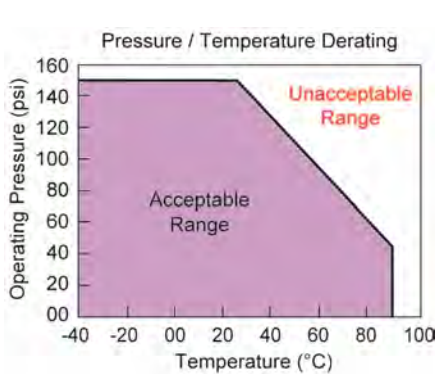
 LZ12 Maintenance Alarm: 17

 Testing the Installation: 18

Warranty, Returns & Limitations: 19

COMMON SPECIFICATIONS

Orientation:	Universal	Pressure:	150 psi (10 bar) @ 25 °C., derated @ 1.667 psi (.113 bar) per °C. above 25° C.
Accuracy:	± 1 mm in water	Sensor rating:	NEMA 6 (IP68) NEMA 4X (IP65) - LU10-2__5 series only
Repeatability:	± 0.5 mm in water	Cable type:	4-conductor, #22 AWG (shielded)
Supply voltage:	12-36 VDC 12-30 VDC (LZ12 Only)	Cable length:	10' (3m) - Standard 25' (7.6m) or 50' (15.2m) - Special
Consumption:	25 mA maximum	Process mount:	3/4" NPT (3/4" G / R)
Contact type:	(1) SPST relay	Mount. gasket:	Viton® (G / R version only)
Contact rating:	60VA (125 VAC max / 1A max)	Classification:	General purpose
Contact output:	Selectable NO/NC	CE compliance:	EN 61326 EMC / EN 61010-1 safety
Process temp.:	F: -40° to 176° C: -40° to 80°		



VIBRATION LEVEL SWITCH (LZ12 SERIES)

The Vibration switch operates at a nominal frequency of 400 Hz. As the switch becomes immersed in a liquid or slurry, a corresponding frequency shift occurs. When the measured frequency shift reaches the set point value, the switch changes state indicating the presence of a liquid or slurry medium. For optimum performance and proactive maintenance, the sensor automatically adjusts for coating, and if necessary, outputs a preventative maintenance alarm.



⚠ Do not squeeze the forks together. Doing so could damage or break the sensor and void the warranty.

When powering up the LZ12, the start-up procedure requires the switch to cycle through a wet condition for 1/2 second in order to determine an initial resonance.

LZ12 SPECIFICATIONS

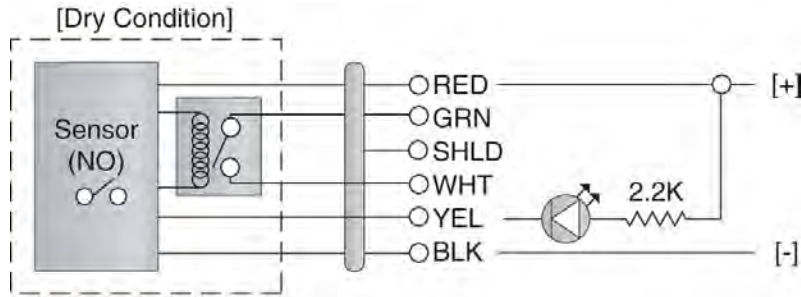
Sensor material:	Ryton® (glass fill) Viton® cable grommet	Maint. alarm:	NPN transistor, 10 mA max.
Process temp.:	F: -40° to 176° C: -40° to 80°	Cable jacket mat'l:	PP
		Cable type:	5-conductor, #24 AWG (shielded)

CONFIGURATIONS

Part Number	Length	Material (cable)	Thread	
			cable side	sensor side
LZ12-1405	Ryton	Polypropylene	3/4" NPT	x 3/4" NPT
LZ12-1425	Ryton	Polypropylene	3/4" R	x 3/4"G

MAINTENANCE ALARM (LZ12 VIBRATION ONLY)

For optimum performance and proactive maintenance, the sensor automatically adjusts for coating, and if necessary, outputs a preventative maintenance alarm. The Yellow wire is a NPN transistor designed to switch when a build-up of material prevents the vibration switch from operating at its operational frequency. Use the Yellow wire to identify when the Vibration switch requires cleaning. To wire the maintenance output wire to an LED, follow the wiring diagram below. The Yellow wire is connected to the LED and a 2.2kΩ resistor in series and referenced back to the (+) of the power supply.



Sensor Power

[RED & BLK wires] / 36 VDC Max.

5 ±1mA Dry / 22 ±1mA Wet

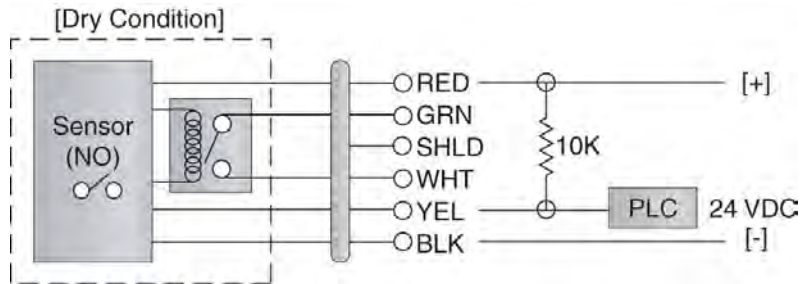
Relay Rating

[GRN & WHT wires] / 60 VA

Maintenance Alarm

[YEL wire] / NPN Transistor / 10mA Max.

To wire the maintenance output wire to a PLC, follow the wiring diagram below. The Yellow wire is connected to the PLC input with a 10 kΩ resistor parallel to the PLC input and the (+) of the power supply.



Sensor Power

[RED & BLK wires] / 36 VDC Max.

5 ±1mA Dry / 22 ±1mA Wet

Relay Rating

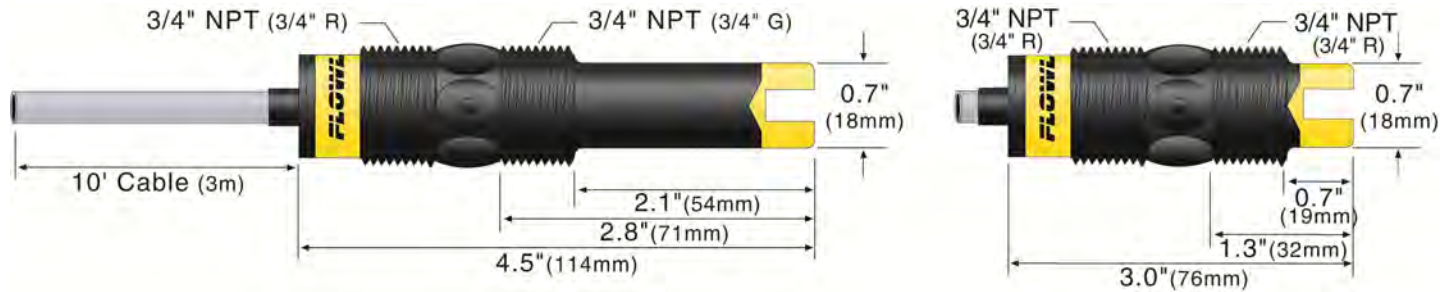
[GRN & WHT wires] / 60 VA

Maintenance Alarm

[YEL wire] / NPN Transistor / 10mA Max.

ULTRASONIC LEVEL SWITCH (LU10 SERIES)

The Ultrasonic switch generates a 1.5 MHz ultrasonic wave from a miniature piezoelectric transducer located on one side of the gap within its sensing tip. Another piezo transducer, located on the other side of the gap, acts as a microphone, picking up the sound wave. When liquid enters the gap, there is a change in the speed the wave crosses the gap. This change in the speed of sound identifies whether the sensor is in liquid or in air.



▲ The sensor should be installed so that the liquid will drip out of the gap when the sensor becomes dry.

LU10 SPECIFICATIONS

Sensor material:	1_ _5: PP 2_ _5: PFA	Cable jacket mat'l:	1_ _5: PP 2_ _5: PFA
Classification:	Intrinsically safe	Parameters:	CSA: Vmax = 32V, Imax = 300 mA, Pmax = 1.3 W; Ci = 0 µF, Li = 0 µH EEx: Ui = 32V; li = 300 mA; Pi = 1.3 W; Ci = 0 µF; Li = 0 µH
Approvals:	CSA: Class I, Groups A, B, C & D; Class II, Groups E, F and G; Class III EEx: Class 1, Division 1, Groups A, B, C, D; EEx ib IIC T6	Certificates:	CSA: LR 79326 EEx: LCIE 01.E6048 X

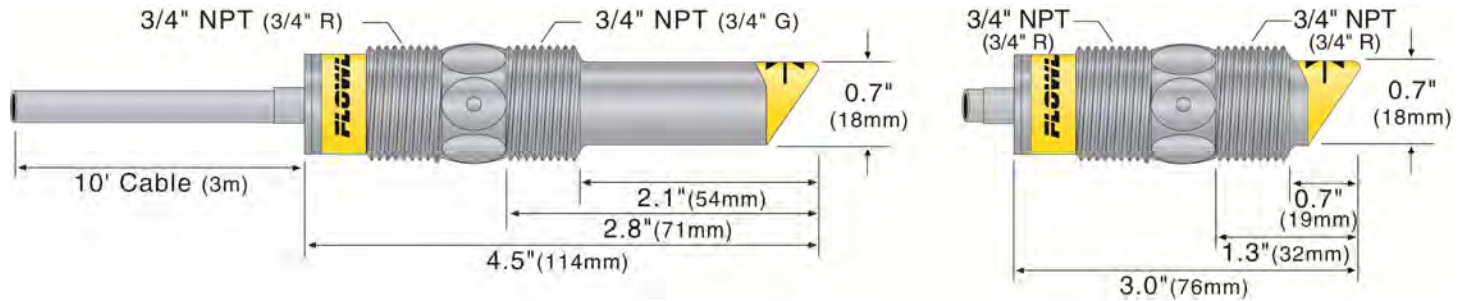
CONFIGURATIONS

Part Number	Length	Material (body)	Material (cable)	Thread	
				cable side	sensor side
LU10-1305	Short (3")	Polypropylene	Polypropylene	(3/4" NPT)	x (3/4" NPT)
LU10-1325	Short (3")	Polypropylene	Polypropylene	(3/4" R)	x (3/4"R)
LU10-1405	Long (4.5")	Polypropylene	Polypropylene	(3/4" NPT)	x (3/4" NPT)
LU10-1425	Long (4.5")	Polypropylene	Polypropylene	(3/4" R)	x (3/4"G)
LU10-2305	Short (3")	PFA	PFA	(3/4" NPT)	x (3/4" NPT)
LU10-2325	Short (3")	PFA	PFA	(3/4" R)	x (3/4"R)
LU10-2405	Long (4.5")	PFA	PFA	(3/4" NPT)	x (3/4" NPT)
LU10-2425	Long (4.5")	PFA	PFA	(3/4" R)	x (3/4"G)

OPTIC LEAK DETECTION SWITCH (LO10 SERIES)

The Optic switch use principles of optical refraction to detect the presence or absence of fluid. A pulsed infrared light beam is internally generated by a light emitting diode and aimed at the slanted optical tip of the sensor. If the tip is dry, the light beam bounces at a 90 degree angle to a receiving photo transistor, indicating a dry condition. If the tip is immersed in liquid, the light beam will refract out into the liquid instead of being reflected to the photo transistor, indicating a wet condition.

The LO10 series is designed as a leak detection switch. The switch should be installed in applications where under normal conditions, it remains away from the liquid and will only come into contact during a leak.



⚠ The Optic Leak Detector cannot detect the presence or absence of specular application liquids that reflect light (such as milk), or viscous liquids (such as paint) that form a coating on the sensor tip.

LO10 SPECIFICATIONS

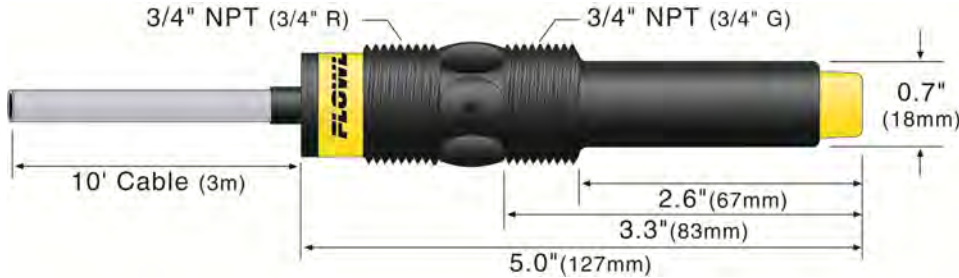
Sensor material: 1_ _5: PP 2_ _5: PFA	Cable jacket mat'l: 1_ _5: PP 2_ _5: PFA
--	---

CONFIGURATIONS

Part Number	Length	Material (body)	Material (cable)	Thread	
				cable side	sensor side
LO10-1305	Short (3")	Polypropylene	Polypropylene	(3/4" NPT)	x (3/4" NPT)
LO10-1325	Short (3")	Polypropylene	Polypropylene	(3/4" R)	x (3/4"R)
LO10-1405	Long (4.5")	Polypropylene	Polypropylene	(3/4" NPT)	x (3/4" NPT)
LO10-1425	Long (4.5")	Polypropylene	Polypropylene	(3/4" R)	x (3/4"G)
LO10-2305	Short (3")	PFA	PFA	(3/4" NPT)	x (3/4" NPT)
LO10-2325	Short (3")	PFA	PFA	(3/4" R)	x (3/4"R)
LO10-2405	Long (4.5")	PFA	PFA	(3/4" NPT)	x (3/4" NPT)
LO10-2425	Long (4.5")	PFA	PFA	(3/4" R)	x (3/4"G)

CAPACITANCE LEVEL SWITCH (LP15 SERIES)

The Capacitance level switch generates a pulse-wave radio frequency signal from the capacitance electrode located in the sensing tip of each sensor. When liquid comes into contact with the sensing tip, the capacitance as measured by the sensor changes based on the dielectric constant of the liquid. The guard circuit rejects the negative effects of coating buildup on the probe by eliminating the coating signal path between the active and reference electrodes.



⚠ The sensor’s operation may vary based on the dielectric properties of various application liquids. The LP15 series sensor is factory-calibrated to be used with liquids with a dielectric value between 20 and 80. Liquids with a dielectric constant less than 20 will not be detected by an LP15 series sensor.

TABLE OF COMMON DIELECTRIC CONSTANTS

Note: Liquids with a dielectric constant less than 20 will not be detected by an LP15 series level switch.

Acetone21	Chlorotoluene 4.7	Ethylene chloride10.5	Isobutyl methyl ketone13	Nitrotoluene 25	Trichloroethylene3.4
Acetaldehyde22.2	Chloroform 4.5 to 5.0	Ethyl acetate6.417	Naphthalene ... 2.3 to 2.5	Trichloroacetic acid ...4.5
Acetyl methyl hexyl ketone28	Chlorine, liquid 2.0	Ethyl salicylate8.6	Jet fuel1.7	Oils, vegetable 2.5 to 3.5	Terephthalic acid1.5 to 1.7
Alcohol 16 to 31	Carbon tetrachloride . 2.2	Ethyl stearate2.9	Lead carbonate 18	Oils, mineral ... 2.3 to 2.43.7
Ammonia 15 to 25	Cyan2.6	Ethyl silicote4.1	Lead nitrate38	Oils, petroleum 1.8 to 2.2	Urea3.5
Acetic acid 4.1 to 6.2	Cyclohexane methanol 3.7	Formic acid 59	Methyl salicylate 9.0	Oleic acid 2.5	Vinyl chloride2.8 to 6
Butyl chloride9.6	D.I. Water 20	Ferric oleate2.6	Methanol33	Propane, liquid 1.8 to 1.9	Vinyl alcohol 1.8 to 2.0
Barium chloride ... 9 to 11	Ethyl toluene2.2	Freon2.2	Methyl alcohol ...33 to 38	Margarine, liquid 2.8 to 3.2	Water, 20°C80
Benzene2.3	Ethyl alcohol 23	Glycerine 477.3	Potassium nitrate 5.0 to 5.9	Water, 100°C48
Benzine2.3	Ethylene glycol 37	Glycol 30	Methyl acetate2.4	Potassium chloride ... 5.0	
Barium nitrate5.6	Ethylene oxide 14	Glycol nitrite 27	N-butyl formate2.4	Stearic acid 2.3	
Bromine3.1	Ethylene dichloride 11 to 17	Gasoline2 to 2.2	Nitrobenzene26 to 35	Toluene 2.4	
Chlorobenzene ..4.7 to 6		Hydrochloric acid4.6			
		Isobutyric acid2.7			

Note: Reference a website such as <http://www.flowline.com> for further dielectric information.

LP15 SPECIFICATIONS

Dielectric range:	>20 constants	Sensor material:	PP
Conductive range:	>100 miromhos	Cable jacket mat'l:	PP

CONFIGURATIONS

Part Number	Material (body)	Material (cable)	Thread	
			cable side	sensor side
LP15-1405	Polypropylene	Polypropylene	(3/4" NPT)	x (3/4" NPT)
LP15-1425	Polypropylene	Polypropylene	(3/4" R)	x (3/4"G)

- ⚠ **About Manual:** PLEASE READ THE ENTIRE MANUAL PRIOR TO INSTALLING OR USING THIS PRODUCT. This manual includes information on all models of Flowline Switch-Tek™ Powered Level Switches: LZ12, LU10, LP15 and LO10 series. Please refer to the part number located on the sensor label to verify the exact model which you have purchased.
- ⚠ **User's Responsibility for Safety:** Flowline® manufactures a wide range of liquid level switches and technologies. While each of these switches are designed to operate in a wide variety of applications, it is the user's responsibility to select a switch model that is appropriate for the application, install it properly, perform tests of the installed system, and maintain all components. The failure to do so could result in property damage or serious injury.
- ⚠ **Proper Installation and Handling:** Because this is an electrically operated device, only properly trained staff should install and/or repair this product. Use a proper sealant with all installations. Note: Always install the 3/4" Viton gasket with all versions of Switch-Tek™ with metric threads. The G threaded version will not seal unless the gasket is properly installed. Never over tighten the sensor within the fitting, beyond a maximum of 80 inch-pounds torque. Always check for leaks prior to system start-up.
- ⚠ **Material Compatibility:** The LU10 and LO10 series sensors are available in two different wetted materials. Models L_10-1__5 are made of Polypropylene (PP). Models L_10-2__5 are made of Perfluoroalkoxy (PFA). The LZ12 series is made of Ryton® (40% glass filled) and the LP15 series is made of PP. Make sure that the model you have selected is compatible with the application liquid. To determine the chemical compatibility between the sensor and its application liquids, refer to an industry reference such as the Compass Corrosion Guide (available from Compass Publications).
- ⚠ **Wiring and Electrical:** The supply voltage used to power the sensor should never exceed a maximum of 36 volts DC (30 VDC for LZ12 series). Electrical wiring of the sensor should be performed in accordance with all applicable national, state, and local codes.
- ⚠ **Flammable, Explosive and Hazardous Applications:** Only the LU10-__5 series switch is rated for use in hazardous locations. Refer to the Certificate of Compliance for all applicable intrinsically safe ratings and entity parameters. Refer to the National Electric Code (NEC) for all applicable installation requirements in hazardous locations. **DO NOT USE THE LZ12, LP15 OR LO10 SERIES GENERAL PURPOSE SWITCH IN HAZARDOUS LOCATIONS.**

⚠ Warning ⚠

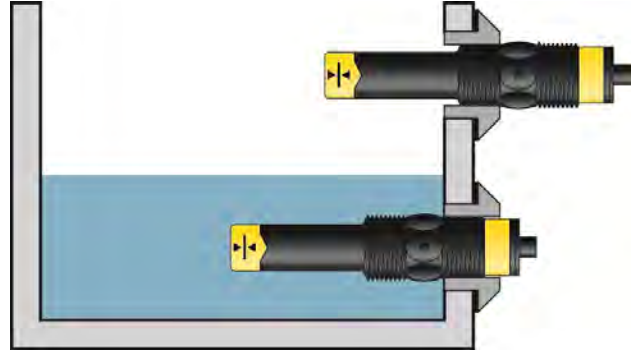
The rating for the relay is 60 VA (125 VAC max / 1A max). Flowline's Switch-Tek™ level switches are not recommended for use with electrically charged application liquids. For most reliable operation, the liquid being measured may need to be electrically grounded. Always install the 3/4" Viton gasket with all versions of the powered sensors with metric threads. The G threaded version will not seal unless the gasket is installed properly.

MAKE A FAIL-SAFE SYSTEM

Design a fail-safe system that accommodates the possibility of switch and/or power failure. FLOWLINE recommends the use of redundant backup systems and alarms in addition to the primary system. Adding a redundant high level float switch to the system is a cost effective means to prevent costly tank overflows. Switch-Tek™ level and leak switches have a single internal relay. The normally open (NO) or normally closed (NC) operation is user selected based on the desired system control. Always design a fail-safe system that accommodates for the possibility of functional and/or power failure to the instrument. The "normal" relay state is where the relay coil is de-energized and the relay indicator is OFF. Therefore, if power is cut OFF to the switch it will de-energize the relay. Make sure that the de-energized state is the safe state in your system design. As such, if switch power is lost, a pump will turn OFF if it is connected to the normally open side of the relay.

THROUGH WALL INSTALLATION

Switch-Tek™ level switches may be installed through the top, side or bottom of a tank wall. The sensor has male 3/4" NPT threads on either side of a 15/16" wrench flat. This enables the user to select the sensor's mounting orientation, installed outside of the tank in, or inside of the tank out.

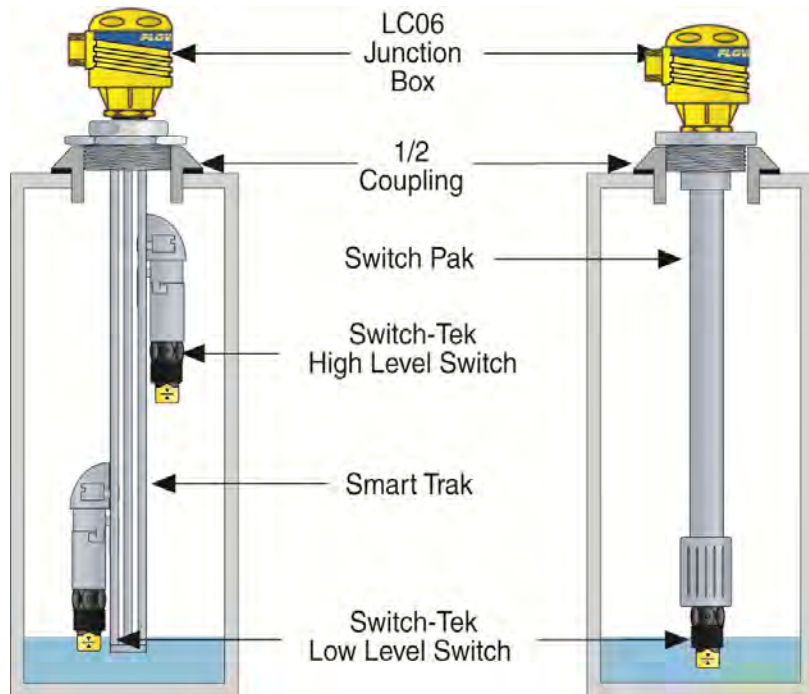


⚠ Always install the 3/4" Viton gasket with the metric (long sensor length) versions of the L_ _ _ _ _ 2_. The G threaded version of the Switch-Tek™ will not seal unless the gasket is installed properly.

TOP WALL INSTALLATION

Switch-Tek™ level switches may be installed through the top wall of a tank. Flowline's Smart Trak LM10 series mounting system is an in-tank fitting which enables users to install up to four FLOWLINE sensors of any technology, to any depth, along the entire length of track. Smart Trak may be installed through the top wall of any tank using a standard 2" NPT tank adapter. If no tank top installation is available, Flowline's side mount bracket, LM50-1001, enables Smart Trak to be installed directly to the side wall of a tank. Do not use PFA Teflon sensors with Smart-Trak.

Flowline's Switch Pak LM45 series mounting system is an in-tank fitting which enables users to install one FLOWLINE sensor, of any technology, to a specific depth. The Flowline sensor may be installed onto the 3/4" NPT adapter at the end of the Switch Pak. Switch Pak may be installed through the top wall of any tank using a standard 2" NPT tank adapter. Flowline's side mount bracket, model LM50-1001, may also be used if top wall installation is not available.



SUPPLY VOLTAGE

The supply voltage to the Switch-Tek™ level switch should never exceed a maximum of 36 VDC. Flowline controllers have a built-in 13.5 VDC power supply which provides power to all of Flowline's electrically powered sensors. Alternative controllers and power supplies, with a minimum output of 12 VDC up to a maximum output of 36 VDC (30 VDC with LZ12 series), may also be used with the Switch-Tek™ level switch.

REQUIRED CABLE LENGTH

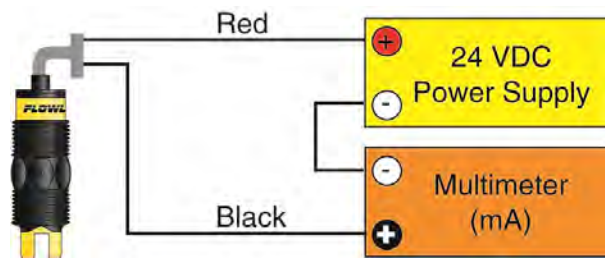
Determine the length of cable required between the Switch-Tek™ level switch and its point of termination. Allow enough slack to ensure the easy installation, removal and/or maintenance of the sensor. The cable length may be extended up to a maximum of 1000 feet, using a well-insulated, 14 to 20 gauge shielded four conductor cable.

WIRE STRIPPING

Using a 10 gauge wire stripper, carefully remove the outer layer of insulation from the last 1-1/4" of the sensor's cable. Unwrap and discard the exposed foil shield from around the signal wires, leaving the drain wire attached if desired. With a 20 gauge wire stripper, remove the last 1/4" of the colored insulation from the signal wires.

SIGNAL OUTPUTS (CURRENT SENSING)

The standard method used by Flowline controllers; this technology uses only two wires (Red and Black). The sensor draws 5 mA when it is dry and 22 mA when wet. NC/NO status must be set by the controller. The White and Green wires are not used.



SIGNAL OUTPUT (RELAY SWITCHING)

Allows the sensor to switch a small load on or off directly, using an internal 1A relay (60 VAC/60 VDC). The relay and features 4 wires (red, black, white and green) and a shield wire. The NO/NC status is set by the polarity of the voltage feeding the red and black wires. The green wire is the common for the relay and the white wire is the NO or NC, depending on the polarity of red and black.

NORMALLY OPEN WIRING

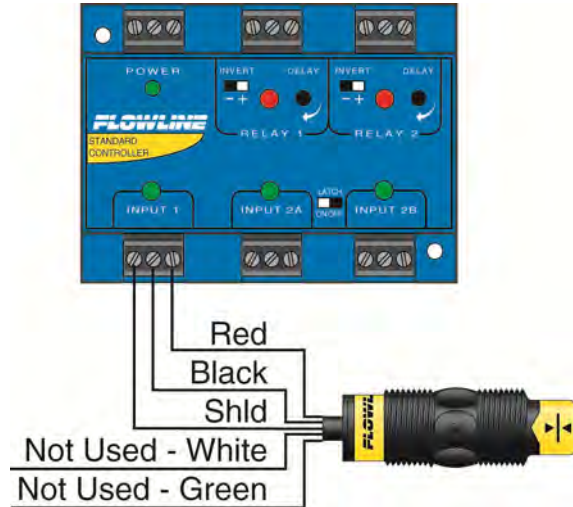


NORMALLY CLOSED WIRING

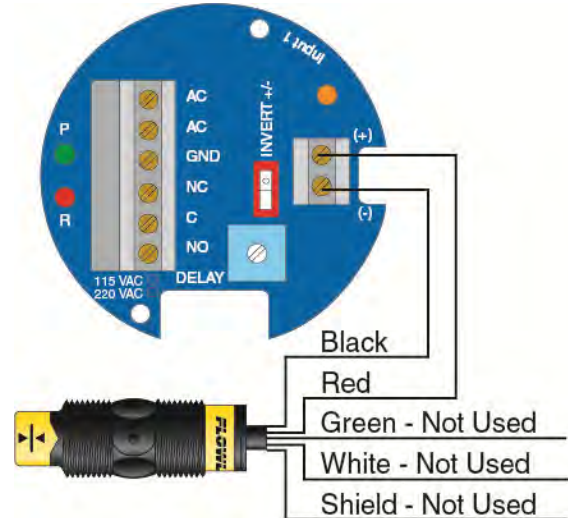


WIRING TO A FLOWLINE CONTROLLER

LC40 Series Controller (4 or 20 mA output):
LC42-1001 Shown

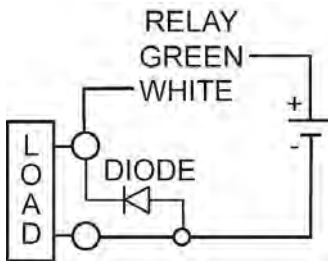


LC10/LC11 Series Controller (4 or 20 mA output):
LC11-1001 Shown



SWITCHING INDUCTIVE LOADS

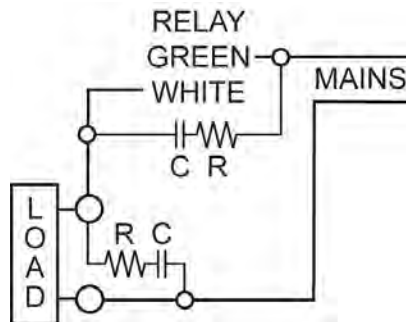
The use of suppressors (snubbers) is strongly recommended when switching inductive loads to prevent disrupting the microprocessor's operation. The suppressors also prolong the life of the relay contacts. Suppression can be obtained with a catch diode for DC circuits and a resistor-capacitor (RC) for AC circuits.



Catch Diode

- Always use stepper relays between the sensor and external loads. For DC circuits use a catch diode such as 1N4148, shown on left.

Refer to the following circuits for RC network assembly and installation:



Choose R and C as follows:

- R: 0.5 to 1 Ohms for each volt across the contacts
- C: 0.5 to 1 μ F for each amp through closed contacts

Notes:

1. Use capacitors rated for 250 VAC.
2. RC networks may affect load release time of solenoid loads. Check to confirm proper operation.
3. Install the RC network at the meters relay screw terminals. An RC network may also be installed across the load. Experiment for best results.

WIRING THE RELAY OUTPUT

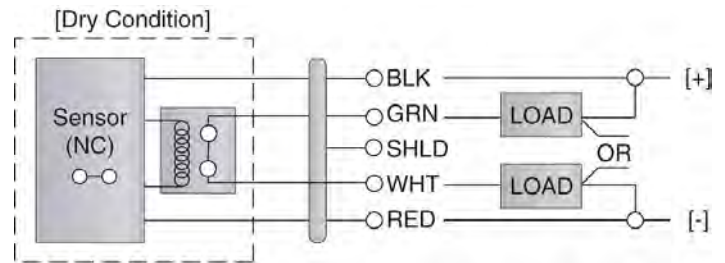
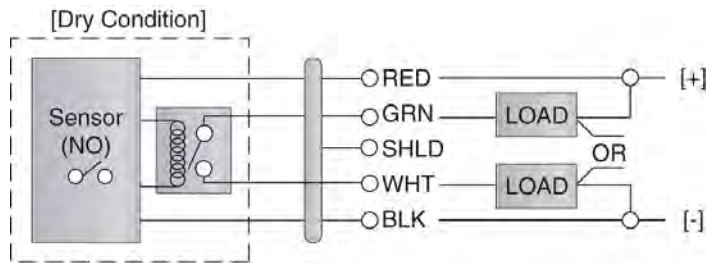
Switch-Tek™ requires 12 - 36 VDC (30 VDC max. for LZ12 series) power to operate the sensor and switch the relay. All illustrations below identify a Dry switch state as the normal position of the relay.

Switching a Normally Open DC Load

The Red wire connects to Positive (+) of the power supply and the Black wire connects to Negative (-). The LOAD can be attached to either the Green or White wires. Complete the circuit by connecting the Green to (+) VDC power or White to (-) VDC power (see illustration below).

Switching a Normally Closed DC Load

The Black wire connects to Positive (+) of the power supply and the Red wire connects to Negative (-). The LOAD can be attached to either the Green or White wires. Complete the circuit by connecting the Green to (+) VDC power or White to (-) VDC power (see illustration below).



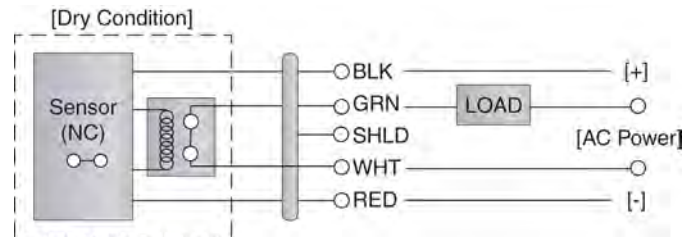
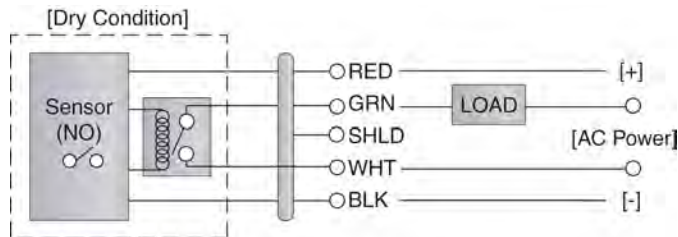
<p><u>Sensor Power</u> [RED & BLK wires] / 36 VDC Max. 5 ±1mA Dry / 22 ±1mA Wet</p>	<p><u>Relay Rating</u> [GRN & WHT wires] / 60 VA</p>
---	---

Switching a Normally Open AC Load

The Red wire connects to Positive (+) of the DC power supply and the Black wire connects to Negative (-). The LOAD can be attached to the Green wire and the Hot of the VAC power. Connect the White to the Neutral of the VAC power (see illustration below).

Switching a Normally Closed AC Load

The Black wire connects to Positive (+) of the DC power supply and the Red wire connects to Negative (-). The LOAD can be attached to the Green wire and the Hot of the VAC power. Connect the White to the Neutral of the VAC power (see illustration below).



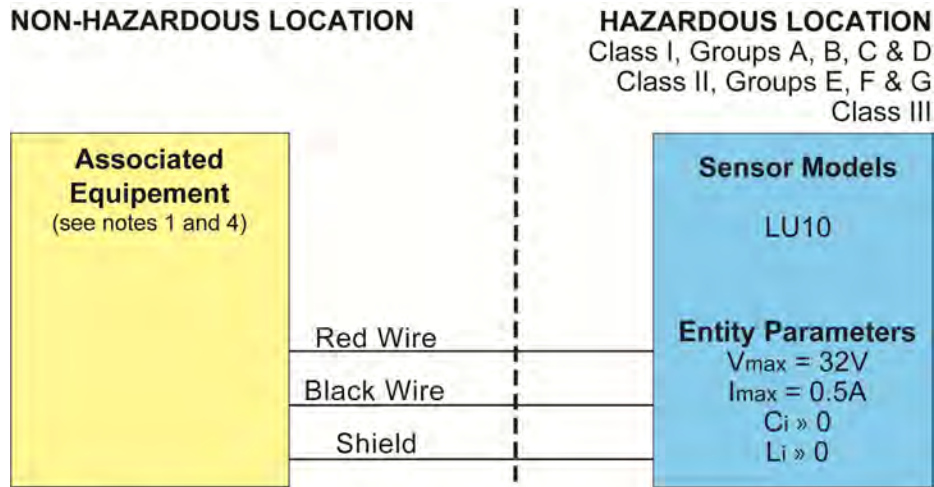
<p><u>Sensor Power</u> [RED & BLK wires] / 36 VDC Max. 5 ±1mA Dry / 22 ±1mA Wet</p>	<p><u>Relay Rating</u> [GRN & WHT wires] / 60 VA</p>
---	---

LU10-___5 ULTRASONIC LEVEL SWITCH ONLY

The LU10-___5 level switch has been approved for use in Class I, Groups A, B, C & D; UNDER CERTIFICATE NUMBER LR 79326-4. DO NOT USE THE LZ12, LP15 or LO10 SERIES IN INTRINSICALLY SAFE APPLICATIONS. The Entity parameters for the LU10-___5 are:

$V_{max} = 32 \text{ VDC} / I_{max} = 0.5 \text{ A} / C_i = 0 \mu\text{F} / L_i = 0 \text{ mH}$

INTRINSICALLY SAFE CONTROL DRAWING



Notes:

1. CSA certified associated equipment with entity parameters.
2. $V_{max} \geq V_{oc}$, $I_{max} \geq I_{sc}$, $C_i + C_{cable} \leq C_{a.}$, $L_i + L_{cable} \leq L_{a.}$
3. Installation should be in accordance with CEC Part I, or NFPA 70.
4. Associated equipment must be installed per manufacturers instructions

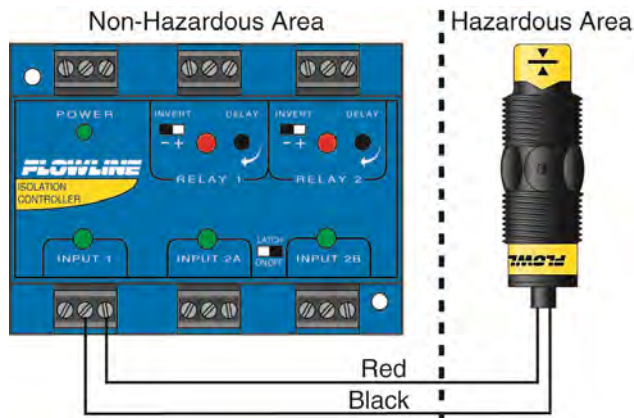
Sensor Drawing: LSD1
Rev. B 10-01-02

WIRING TO A FLOWLINE CONTROLLER

LC90 Series Controller (4 or 20 mA Signal Output)

LC90 Series Entity Parameter

$V_{oc} = 17.47 \text{ VDC}$
 $I_{sc} = 0.4597 \text{ A}$
 $C_a = 0.494 \mu\text{F}$
 $L_a = 0.119 \mu\text{H}$



LU10 series Entity Parameter

$V_{max} = 32 \text{ VDC}$
 $I_{max} = 0.5 \text{ A}$
 $C_i = 0 \mu\text{F}$
 $L_i = 0 \mu\text{H}$

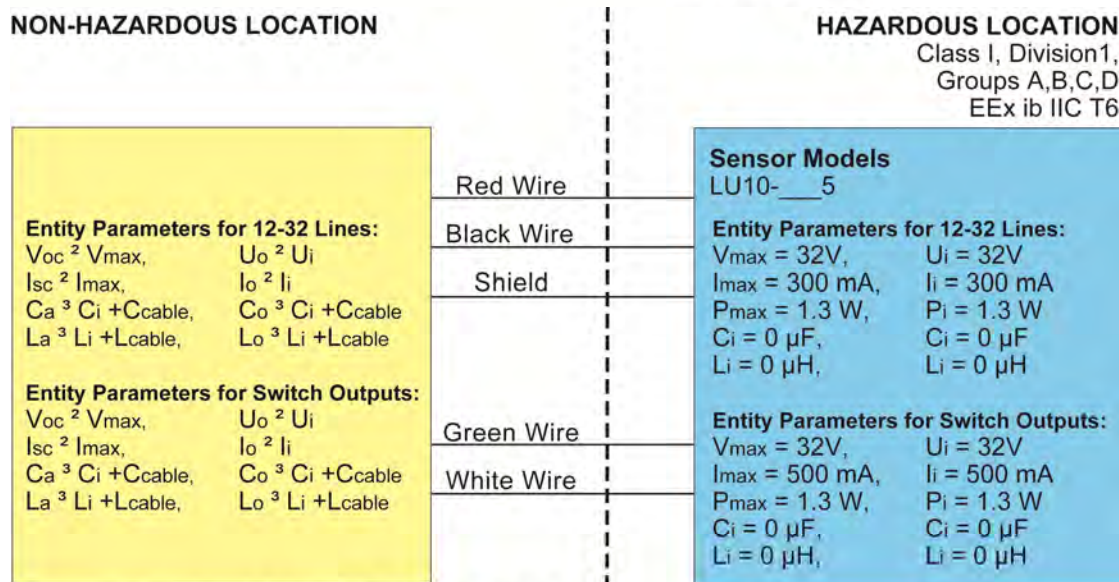
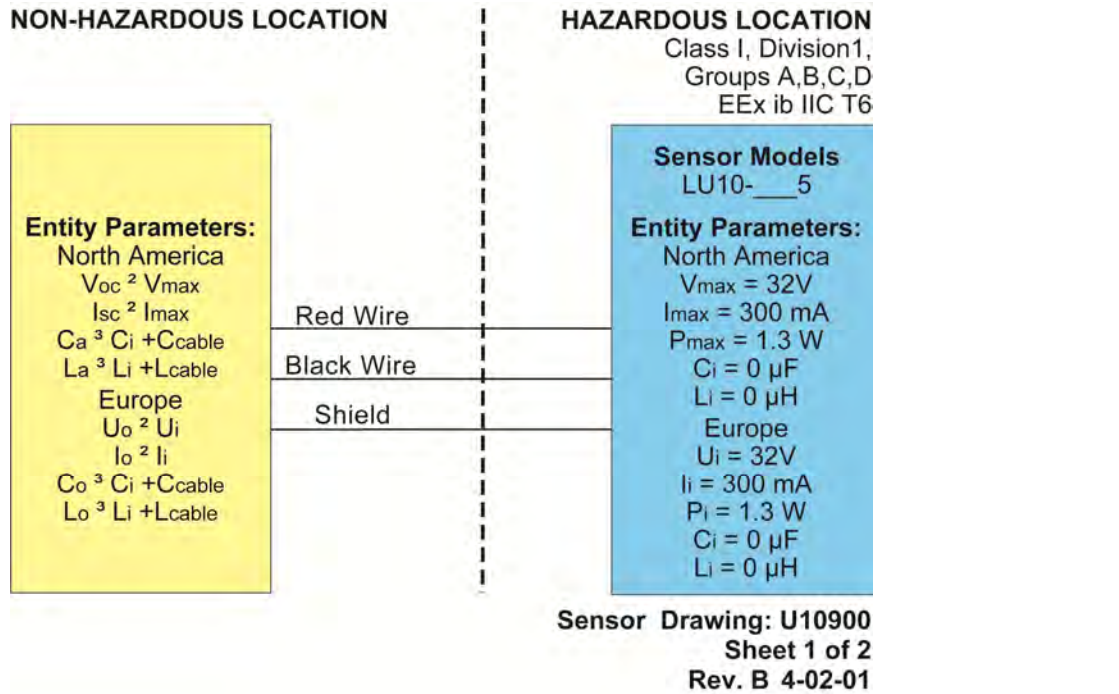
LU10-___5 ULTRASONIC LEVEL SWITCH ONLY (CONTINUED)

The LU10-___5 level switch has been approved for use in Class I, Division 1, Groups A, B, C & D; EEx ib IIC T6; UNDER CERTIFICATE NUMBER LCIE 01.E6048X. DO NOT USE THE LZ12, LP15 or LO10 SERIES IN INTRINSICALLY SAFE APPLICATIONS. The Entity parameters for the LU10-___5 are:

North America - $V_{max} = 32 \text{ VDC}$ / $I_{max} = 0.5 \text{ A}$ / $P_{max} = 1.3 \text{ W}$ / $C_i = 0 \text{ }\mu\text{F}$ / $L_i = 0 \text{ }\mu\text{H}$

Europe - $U_i = 32 \text{ VDC}$ / $I_i = 0.5 \text{ A}$ / $P_i = 1.3 \text{ W}$ / $C_i = 0 \text{ }\mu\text{F}$ / $L_i = 0 \text{ }\mu\text{H}$

INTRINSICALLY SAFE CONTROL DRAWING



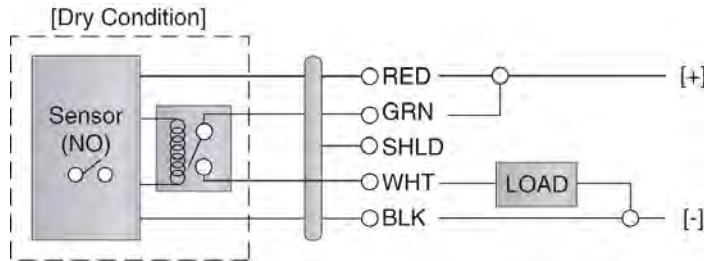
Notes: PARAMETERS DEPEND ON OUTPUT TYPE
 1. Installation should be in accordance with CEC Part 1, or NFPA 70. **Sensor Drawing: U10900**
 2. Associated Equipment shall be CSA certified with entity parameters **Sheet 2 of 2**
 connected in accordance with manufacturers instructions. **Rev. B 4-02-01**

WIRING AS A P-CHANNEL OR N-CHANNEL OUTPUT

Switch-Tek™ level switch can be substituted for either a P-Channel (PNP, sourcing) output or an N-Channel (NPN, sinking) output.

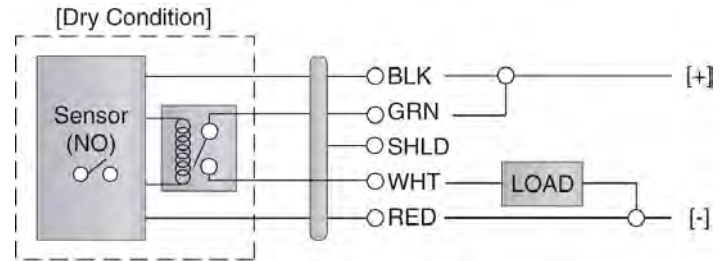
Normally Open DC Load as a P-Channel Output

The Red wire connects to Positive (+) of the power supply and the Black wire connects to Negative (-). The Green wire is jumped to the Red wire while the White wire is connected to the LOAD. Jumper the LOAD to the Negative (-) to complete the circuit.



Normally Closed DC Load as a P-Channel Output

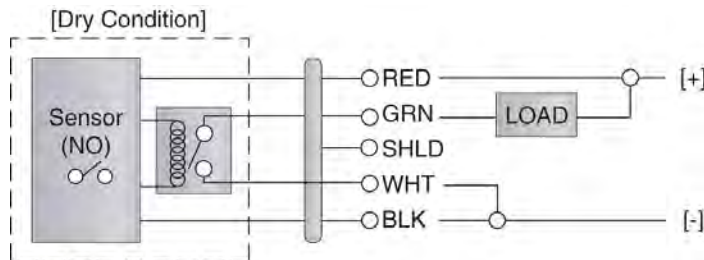
The Black wire connects to Positive (+) of the power supply and the Red wire connects to Negative (-). The Green wire is jumped to the Black wire while the White wire is connected to the LOAD. Jumper the LOAD to the Negative (-) to complete the circuit.



<p><u>Sensor Power</u> [RED & BLK wires] / 36 VDC Max. 5 ±1mA Dry / 22 ±1mA Wet</p>	<p><u>Relay Rating</u> [GRN & WHT wires] / 60 VA</p>
---	--

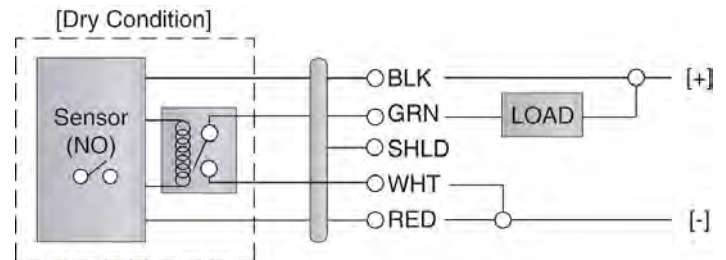
Normally Open DC Load as a N-Channel Output

The Red wire connects to Positive (+) of the power supply and the Black wire connects to Negative (-). The White wire is jumped to the Black wire while the Green wire is connected to the LOAD. Jumper the LOAD to the Positive (+) to complete the circuit.



Normally Closed DC Load as a N-Channel Output

The Black wire connects to Positive (+) of the power supply and the Red wire connects to Negative (-). The White wire is jumped to the Red wire while the Green wire is connected to the LOAD. Jumper the LOAD to the Positive (+) to complete the circuit.



<p><u>Sensor Power</u> [RED & BLK wires] / 36 VDC Max. 5 ±1mA Dry / 22 ±1mA Wet</p>	<p><u>Relay Rating</u> [GRN & WHT wires] / 60 VA</p>
---	--

GENERAL

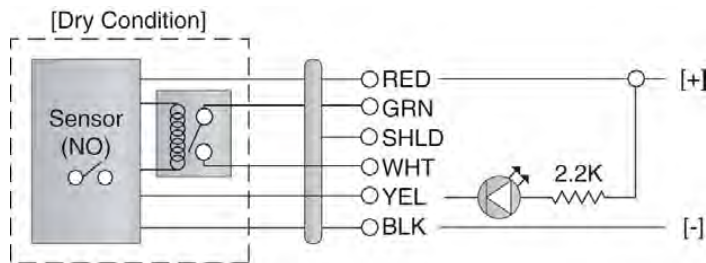
Switch-Tek™ level switches may require periodic cleaning to eliminate coating build-up. It is the responsibility of the user to determine the appropriate maintenance schedule, based on the specific characteristics of the application liquids.

CLEANING PROCEDURE

1. **Power:** Make sure that all power to the switch, controller and/or power supply is completely disconnected.
2. **Switch removal:** In all through-wall installations, make sure that the tank is drained well below the sensor prior to removal. Carefully, remove the sensor from the installation.
3. **Cleaning the switch:** Use a soft bristle brush and mild detergent, carefully wash the Switch-Tek™ level switch. Do not use harsh abrasives such as steel wool or sandpaper, which might damage the surface sensor. Do not use incompatible solvents which may damage the sensor's PP, PFA, PVDF or Rytan plastic body.
4. **Sensor installation:** Follow the appropriate steps of installation as outlined in the Installation section of this manual.

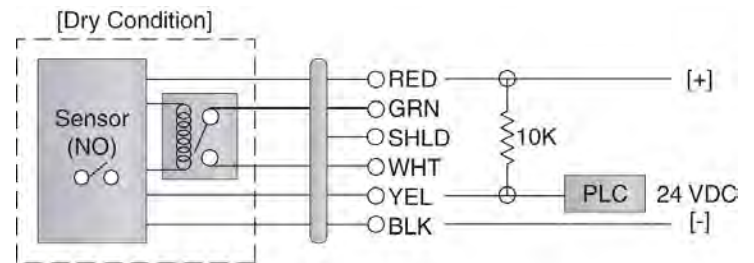
MAINTENANCE OUTPUT TO LED (LZ12 ONLY)

To wire the maintenance output wire to an LED, follow the wiring diagram below. The Yellow wire is connected to the LED and a 2.2kΩ resistor in series and referenced back to the (+) of the power supply.



MAINTENANCE OUTPUT TO PLC (LZ12 ONLY)

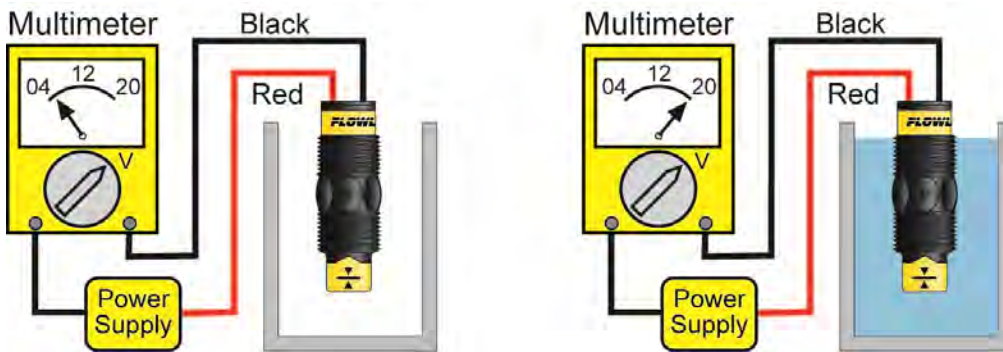
To wire the maintenance output wire to a PLC, follow the wiring diagram below. The Yellow wire is connected to the PLC input with a 10 kΩ resistor parallel to the PLC input and the (+) of the power supply.



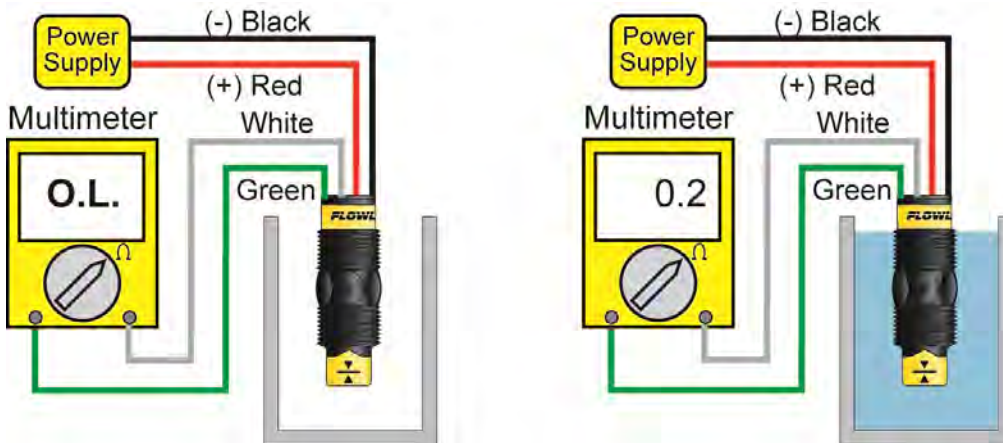
<p><u>Sensor Power</u> [RED & BLK wires] / 36 VDC Max. 5 ±1mA Dry / 22 ±1mA Wet</p>	<p><u>Relay Rating</u> [GRN & WHT wires] / 60 VA</p>	<p><u>Maintenance Alarm</u> [YEL wire] / NPN Transistor / 10mA Max.</p>
---	--	---

TESTING THE INSTALLATION

1. **Power:** Turn on power to the controller and/or power supply.
2. **Immersing the switch:** Immerse the sensing tip in its application liquid, by filling the tank up to the switches point of actuation. An alternate method of immersing the switch during preliminary testing is to hold a cup filled with application liquid up to the switch's tip.
3. **Test:** With the switch being fluctuated between wet and dry states, the switch indicator light in the controller should turn on and off. If the controller doesn't have an input indicator, use a voltmeter or ammeter to ensure that the switch produces the correct signal (see below).
4. **Point of actuation:** Observe the point at which the rising or falling fluid level causes the switch to change state, and adjust the installation of the switch if necessary.



Example: Testing the LU10 series with a Multimeter set to read current (mA). When wired NO [Red to (+)], the meter will read 5mA, ±1mA when dry and will read 20mA, ±1mA when wet.



Example: Testing the LU10 series with a multimeter set to read resistance (ohms). When wired NO [Red to (+)], the meter will read O.L. when dry and will read some small amount of resistance (ex. 0.2 Ohms) when wet.

This Page Intentionally Left Blank

WARRANTY

Flowline warrants to the original purchaser of its products that such products will be free from defects in material and workmanship under normal use and service in accordance with instructions furnished by Flowline for a period of two years from the date of manufacture of such products. Flowline's obligation under this warranty is solely and exclusively limited to the repair or replacement, at Flowline's option, of the products or components, which Flowline's examination determines to its satisfaction to be defective in material or workmanship within the warranty period. Flowline must be notified pursuant to the instructions below of any claim under this warranty within thirty (30) days of any claimed lack of conformity of the product. Any product repaired under this warranty will be warranted only for the remainder of the original warranty period. Any product provided as a replacement under this warranty will be warranted for the full two years from the date of manufacture.

RETURNS

Products cannot be returned to Flowline without Flowline's prior authorization. To return a product that is thought to be defective, go to flowline.com, and submit a customer return (MRA) request form and follow the instructions therein. All warranty and non-warranty product returns to Flowline must be shipped prepaid and insured. Flowline will not be responsible for any products lost or damaged in shipment.

LIMITATIONS

This warranty does not apply to products which: 1) are beyond the warranty period or are products for which the original purchaser does not follow the warranty procedures outlined above; 2) have been subjected to electrical, mechanical or chemical damage due to improper, accidental or negligent use; 3) have been modified or altered; 4) anyone other than service personnel authorized by Flowline have attempted to repair; 5) have been involved in accidents or natural disasters; or 6) are damaged during return shipment to Flowline. Flowline reserves the right to unilaterally waive this warranty and dispose of any product returned to Flowline where: 1) there is evidence of a potentially hazardous material present with the product; or 2) the product has remained unclaimed at Flowline for more than 30 days after Flowline has dutifully requested disposition. This warranty contains the sole express warranty made by Flowline in connection with its products. **ALL IMPLIED WARRANTIES, INCLUDING WITHOUT LIMITATION, THE WARRANTIES OF MERCHANTABILITY AND FITNESS FOR A PARTICULAR PURPOSE, ARE EXPRESSLY DISCLAIMED.** The remedies of repair or replacement as stated above are the exclusive remedies for the breach of this warranty. **IN NO EVENT SHALL FLOWLINE BE LIABLE FOR ANY INCIDENTAL OR CONSEQUENTIAL DAMAGES OF ANY KIND INCLUDING PERSONAL OR REAL PROPERTY OR FOR INJURY TO ANY PERSON. THIS WARRANTY CONSTITUTES THE FINAL, COMPLETE AND EXCLUSIVE STATEMENT OF WARRANTY TERMS AND NO PERSON IS AUTHORIZED TO MAKE ANY OTHER WARRANTIES OR REPRESENTATIONS ON BEHALF OF FLOWLINE.** This warranty will be interpreted pursuant to the laws of the State of California. If any portion of this warranty is held to be invalid or unenforceable for any reason, such finding will not invalidate any other provision of this warranty.

For complete product documentation, video training, and technical support, go to flowline.com. For phone support, call 562-598-3015 from 8am to 5pm PST, Mon - Fri. (Please make sure you have the Part and Serial number available.)