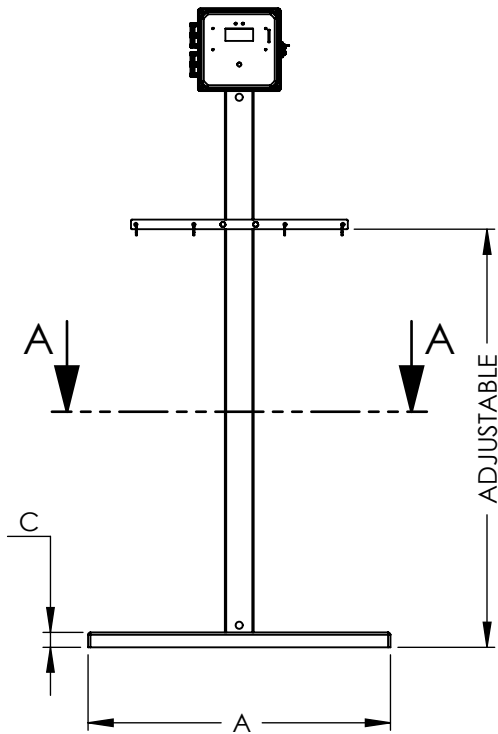


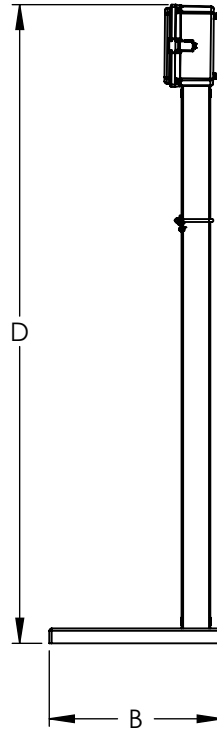
MODEL	A	B	C (Max)	D	NET CAPACITY LB/KG
2350-____	31.5"/800mm	18.0"/457mm	1.50"/38mm	66.5"/1690mm	150LB/68KG (OR 70KG) EACH SIDE

(EX: 2350-150LB (OR 2350-68KG))

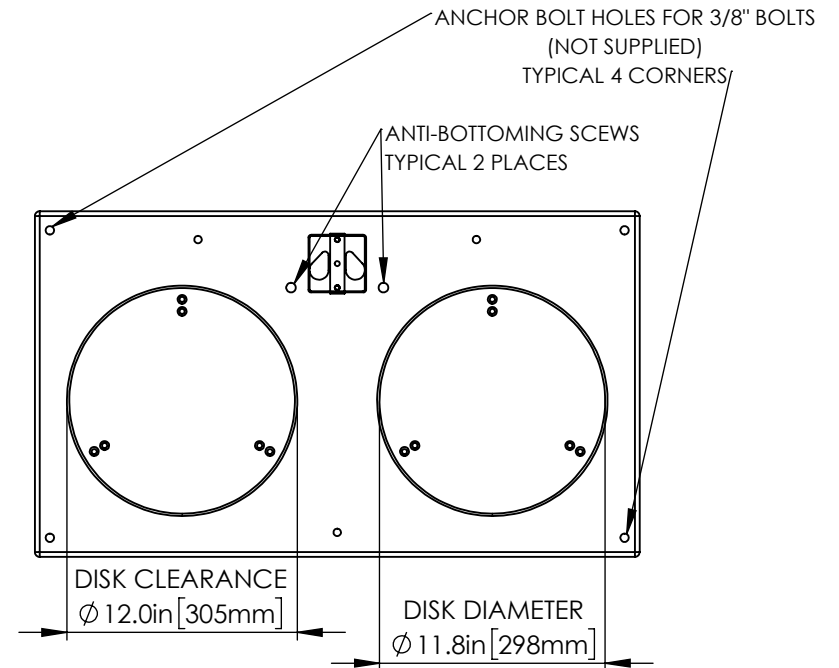
### FRONT VIEW



### SIDE VIEW



### SECTION A-A



**NOTES:**  
 STANDARD CONSTRUCTION:  
 MOLDED FIBERGLASS REINFORCED  
 THERMOPLASTIC BASE

53 Appletree Lane  
 P.O. Box 365  
 Plumsteadville, PA 18949  
 Toll Free: (800) 257-5911  
 Phone: (215) 766-2670  
 Fax: (215) 766-2672  
 E-Mail: info@scaletronscales.com  
 Website: www.scaletronscales.com

**NOTICE**  
 THE INFORMATION CONTAINED IN THIS  
 DRAWING IS THE SOLE PROPERTY OF  
 SCALETRON INDUSTRIES LTD. ANY  
 REPRODUCTION IN PART OR AS A WHOLE  
 WITHOUT THE WRITTEN PERMISSION OF  
 SCALETRON INDUSTRIES LTD IS  
 PROHIBITED.

MODEL 2350 DIGITAL  
 DUAL CYLINDER SCALE

REV

CBC 8/10/2021

