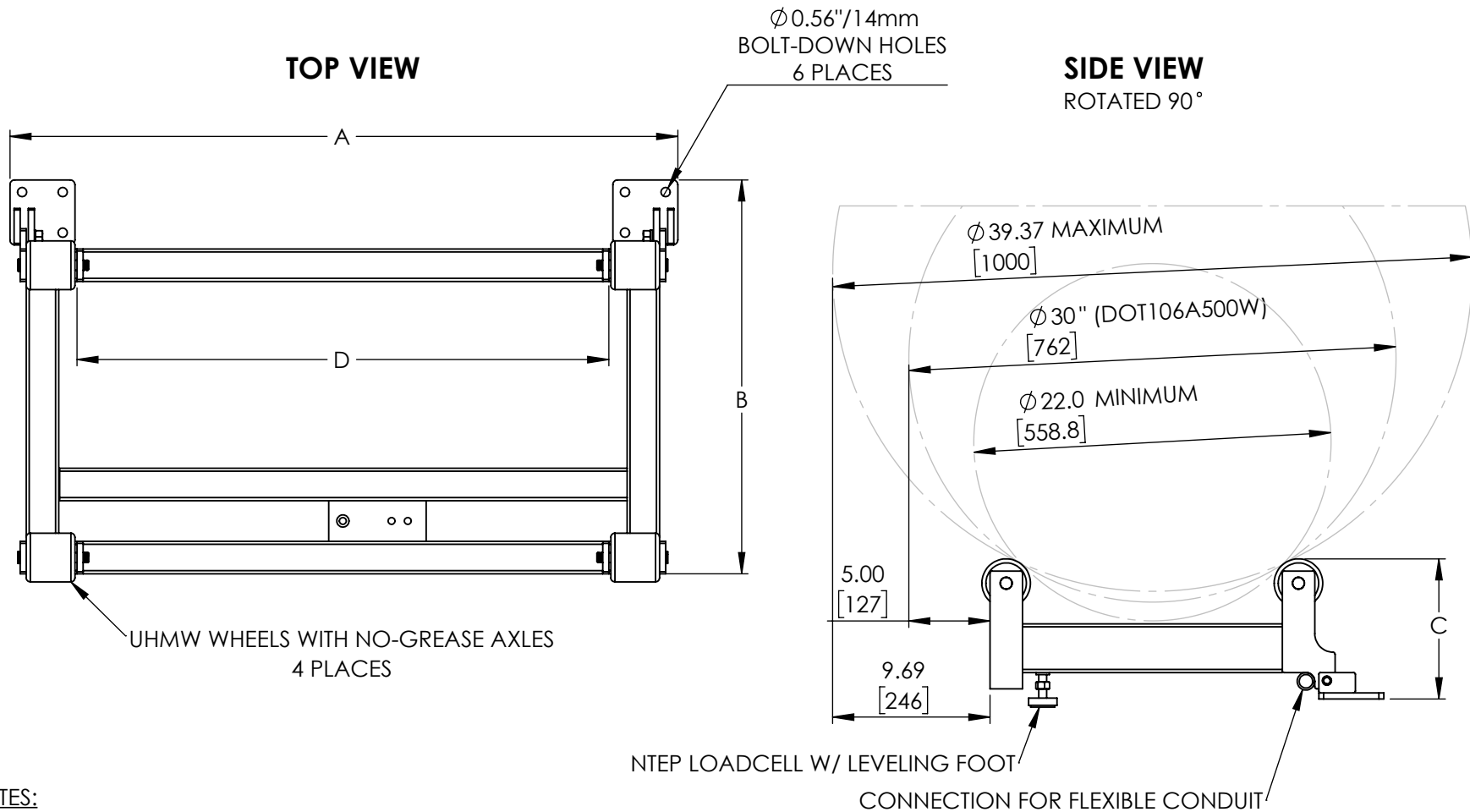


| MODEL | A | B | C | D | NET CAPACITY LB/KG |
|------------|---------------|--------------|-------------|--------------|----------------------|
| 3000-_____ | 41.13"/1045mm | 24.25"/616mm | 8.63"/219mm | 32.75"/832mm | 2000LB/907 OR 1000KG |

[EX: 3000-2000LB (907 OR 1000KG)]



NOTES:

STANDARD CONSTRUCTION:
POWDER COATED STEEL
20'/6.1M LENGTH OF WIRE



53 Appletree Lane
P.O. Box 365
Plumsteadville, PA 18949
Toll Free: (800) 257-5911
Phone: (215) 766-2670
Fax: (215) 766-2672
E-Mail: info@scaletronscales.com
Website: www.scaletronscales.com

NOTICE

THE INFORMATION CONTAINED IN THIS DRAWING IS THE SOLE PROPERTY OF SCALETRON INDUSTRIES LTD. ANY REPRODUCTION IN PART OR AS A WHOLE WITHOUT THE WRITTEN PERMISSION OF SCALETRON INDUSTRIES LTD IS PROHIBITED.

MODEL 3000
TON CYLINDER SCALE

REV

CBC 8/17/2021